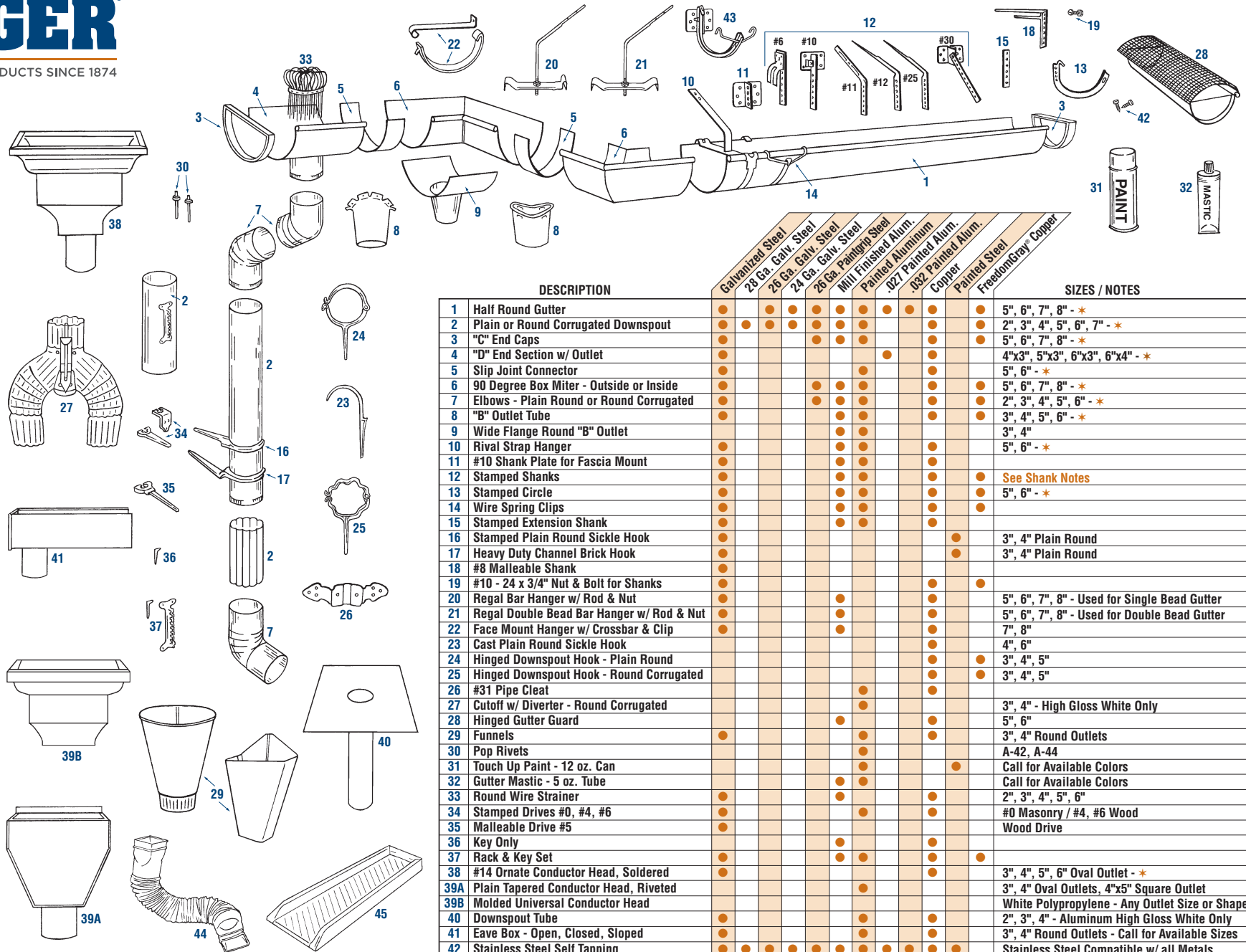


| | | | | | | | | | |
|---|--|---|--|---|---|--|--|---|--|
| HALF ROUND GUTTER CUSTOM SIZES AVAILABLE <p>5" 6" 7" 8"</p> | | MITERS DOUBLE BEAD <p>5K 5HR</p> <p>OUTSIDE INSIDE</p> <p>5HR 5K</p> | | K GUTTER CUSTOM SIZES AVAILABLE <p>8K 7K 6K 5K</p> <p>HI BACK APRON OR STRAIGHT BACK</p> | | | | | |
| HR ACCESSORIES D END PIECE <p>3" WB POP OUTLET</p> <p>WF "B" OUTLET</p> <p>3" 4"</p> <p>S SLIP JOINT</p> <p>CUSTOM OUTLETS</p> <p>C END CAP</p> | | | ORNATE CONDUCTOR HEAD <p>SIZES: 3", 4", & 5"</p> | | OUTLETS: <p>4" x 5"</p> <p>3" x 4" 2" x 3" 3"</p> | | K ACCESSORIES K END PIECE <p>K SLIP JOINT</p> <p>K END CAP</p> <p>WIRE STRAINER</p> | | |
| SHANKS #10 PLATE <p>#6 #10 #11 #12 #25</p> <p>#10 COMBINATION HANGER</p> <p>#1 CIRCLE</p> <p>HR RIVAL STRAP HANGER</p> <p>CROSSBAR HANGER</p> <p>SNAP STRAP ON HANGER</p> <p>40K 41K</p> <p>5" HIDDEN</p> <p>HIDDEN W/ SCREW</p> <p>6" HIDDEN</p> <p>SPIKE & FERRULE</p> | | #30 <p>EXTENSION SHANK</p> <p>REGAL BAR HANGERS</p> <p>SPRING CLIP</p> <p>NUT & BOLT</p> <p>K WRAP AROUND</p> <p>J BRACKET</p> | | HANGERS #10 PLATE <p>#6 #10 #11 #12 #25</p> <p>EXTENSION SHANK</p> <p>REGAL BAR HANGERS</p> <p>SPRING CLIP</p> <p>NUT & BOLT</p> <p>K WRAP AROUND</p> <p>J BRACKET</p> | | SNAP STRAP ON HANGER 40K 41K 5" HIDDEN HIDDEN W/ SCREW 6" HIDDEN SPIKE & FERRULE | | | |
| ROUND DOWNSPOUT PLAIN: 2", 3", 4", 5", 6" <p>3PL 4RC 3RC 4PL</p> <p>CORRUGATED: 3", 4", 5" 6"</p> | | ROUND ELBOWS <p>3RC 4PL</p> | | DOWNSPOUT TUBE <p>2", 3", 4"</p> | | SLOPED EAVE BOX <p>OPEN OR CLOSED TOP EAVE BOX</p> | | SQUARE ELBOWS PLAIN 2 x 3-A 2 x 3-B <p>2 x 3 3 x 4</p> | |
| DIVERTERS | | FLASHING, TRIM AND EDGING RIDGE ROLL <p>V VALLEY</p> <p>W VALLEY</p> <p>"C" STYLE "F" STYLE</p> <p>"E" STYLE "H" STYLE</p> | | | | DRIVES & PIPE FASTENERS RACK #0 #4 #6 <p>KEY U BRACKET</p> <p>PIPE CLEAT</p> <p>CONDUCTOR BRACKET</p> <p>UNIVERSAL BAND</p> <p>ORNAMENTAL COND BAND</p> | | | |
| FreedomGray® Copper | | GUTTER GUARDS HINGED <p>DROP-IN</p> <p>GUTTER SHINGLE</p> | | SNOW GUARDS #100 SHOE LOOP <p>MULLANE #100</p> <p>MULLANE #400</p> <p>RT SERIES #95 ASSEMBLY MULLANE #200 PRO 100 ASSEMBLY</p> | | | | | |

HALF ROUND GUTTER SYSTEMS AND ACCESSORIES



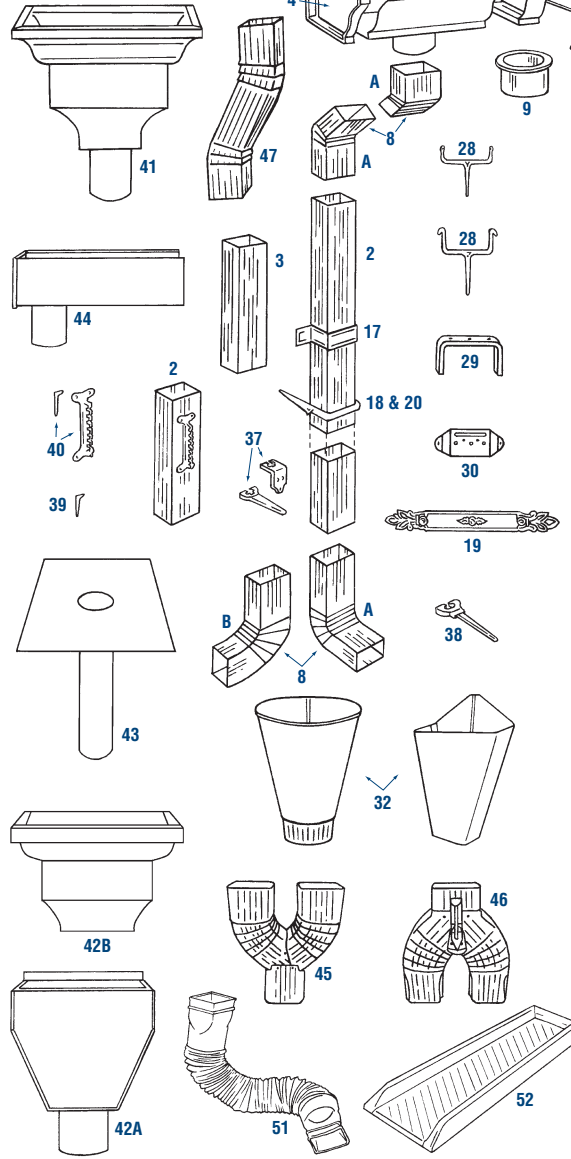
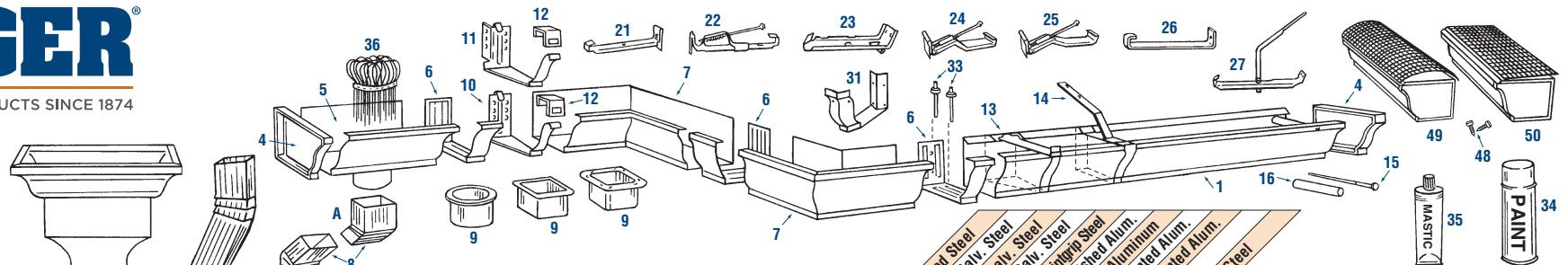
| DESCRIPTION | MATERIALS | | | | | | | | | | SIZES / NOTES | | |
|---|------------------|--------------------|--------------------|--------------------|-----------------------|---------------------|------------------|--------------------|--------------------|--------|---------------|---------------|---|
| | Galvanized Steel | 28 Ga. Galv. Steel | 26 Ga. Galv. Steel | 24 Ga. Galv. Steel | 28 Ga. Painting Steel | Mill Finished Steel | Painted Aluminum | .027 Painted Alum. | .032 Painted Alum. | Copper | | Painted Steel | FreedomGray® Copper |
| 1 Half Round Gutter | ● | ● | ● | ● | ● | ● | ● | ● | ● | ● | ● | ● | 5", 6", 7", 8" - * |
| 2 Plain or Round Corrugated Downspout | ● | ● | ● | ● | ● | ● | ● | ● | ● | ● | ● | ● | 2", 3", 4", 5", 6", 7" - * |
| 3 "C" End Caps | ● | ● | ● | ● | ● | ● | ● | ● | ● | ● | ● | ● | 5", 6", 7", 8" - * |
| 4 "D" End Section w/ Outlet | ● | ● | ● | ● | ● | ● | ● | ● | ● | ● | ● | ● | 4"x3", 5"x3", 6"x3", 6"x4" - * |
| 5 Slip Joint Connector | ● | ● | ● | ● | ● | ● | ● | ● | ● | ● | ● | ● | 5", 6" - * |
| 6 90 Degree Box Miter - Outside or Inside | ● | ● | ● | ● | ● | ● | ● | ● | ● | ● | ● | ● | 5", 6", 7", 8" - * |
| 7 Elbows - Plain Round or Round Corrugated | ● | ● | ● | ● | ● | ● | ● | ● | ● | ● | ● | ● | 2", 3", 4", 5", 6" - * |
| 8 "B" Outlet Tube | ● | ● | ● | ● | ● | ● | ● | ● | ● | ● | ● | ● | 3", 4", 5", 6" - * |
| 9 Wide Flange Round "B" Outlet | ● | ● | ● | ● | ● | ● | ● | ● | ● | ● | ● | ● | 3", 4" |
| 10 Rival Strap Hanger | ● | ● | ● | ● | ● | ● | ● | ● | ● | ● | ● | ● | 5", 6" - * |
| 11 #10 Shank Plate for Fascia Mount | ● | ● | ● | ● | ● | ● | ● | ● | ● | ● | ● | ● | |
| 12 Stamped Shanks | ● | ● | ● | ● | ● | ● | ● | ● | ● | ● | ● | ● | See Shank Notes |
| 13 Stamped Circle | ● | ● | ● | ● | ● | ● | ● | ● | ● | ● | ● | ● | 5", 6" - * |
| 14 Wire Spring Clips | ● | ● | ● | ● | ● | ● | ● | ● | ● | ● | ● | ● | |
| 15 Stamped Extension Shank | ● | ● | ● | ● | ● | ● | ● | ● | ● | ● | ● | ● | |
| 16 Stamped Plain Round Sickle Hook | ● | ● | ● | ● | ● | ● | ● | ● | ● | ● | ● | ● | 3", 4" Plain Round |
| 17 Heavy Duty Channel Brick Hook | ● | ● | ● | ● | ● | ● | ● | ● | ● | ● | ● | ● | 3", 4" Plain Round |
| 18 #8 Malleable Shank | ● | ● | ● | ● | ● | ● | ● | ● | ● | ● | ● | ● | |
| 19 #10 - 24 x 3/4" Nut & Bolt for Shanks | ● | ● | ● | ● | ● | ● | ● | ● | ● | ● | ● | ● | |
| 20 Regal Bar Hanger w/ Rod & Nut | ● | ● | ● | ● | ● | ● | ● | ● | ● | ● | ● | ● | 5", 6", 7", 8" - Used for Single Bead Gutter |
| 21 Regal Double Bead Bar Hanger w/ Rod & Nut | ● | ● | ● | ● | ● | ● | ● | ● | ● | ● | ● | ● | 5", 6", 7", 8" - Used for Double Bead Gutter |
| 22 Face Mount Hanger w/ Crossbar & Clip | ● | ● | ● | ● | ● | ● | ● | ● | ● | ● | ● | ● | 7", 8" |
| 23 Cast Plain Round Sickle Hook | ● | ● | ● | ● | ● | ● | ● | ● | ● | ● | ● | ● | 4", 6" |
| 24 Hinged Downspout Hook - Plain Round | ● | ● | ● | ● | ● | ● | ● | ● | ● | ● | ● | ● | 3", 4", 5" |
| 25 Hinged Downspout Hook - Round Corrugated | ● | ● | ● | ● | ● | ● | ● | ● | ● | ● | ● | ● | 3", 4", 5" |
| 26 #31 Pipe Cleat | ● | ● | ● | ● | ● | ● | ● | ● | ● | ● | ● | ● | |
| 27 Cutoff w/ Diverter - Round Corrugated | ● | ● | ● | ● | ● | ● | ● | ● | ● | ● | ● | ● | 3", 4" - High Gloss White Only |
| 28 Hinged Gutter Guard | ● | ● | ● | ● | ● | ● | ● | ● | ● | ● | ● | ● | 5", 6" |
| 29 Funnels | ● | ● | ● | ● | ● | ● | ● | ● | ● | ● | ● | ● | 3", 4" Round Outlets |
| 30 Pop Rivets | ● | ● | ● | ● | ● | ● | ● | ● | ● | ● | ● | ● | A-42, A-44 |
| 31 Touch Up Paint - 12 oz. Can | ● | ● | ● | ● | ● | ● | ● | ● | ● | ● | ● | ● | Call for Available Colors |
| 32 Gutter Mastic - 5 oz. Tube | ● | ● | ● | ● | ● | ● | ● | ● | ● | ● | ● | ● | Call for Available Colors |
| 33 Round Wire Strainer | ● | ● | ● | ● | ● | ● | ● | ● | ● | ● | ● | ● | 2", 3", 4", 5", 6" |
| 34 Stamped Drives #0, #4, #6 | ● | ● | ● | ● | ● | ● | ● | ● | ● | ● | ● | ● | #0 Masonry / #4, #6 Wood |
| 35 Malleable Drive #5 | ● | ● | ● | ● | ● | ● | ● | ● | ● | ● | ● | ● | Wood Drive |
| 36 Key Only | ● | ● | ● | ● | ● | ● | ● | ● | ● | ● | ● | ● | |
| 37 Rack & Key Set | ● | ● | ● | ● | ● | ● | ● | ● | ● | ● | ● | ● | |
| 38 #14 Ornate Conductor Head, Soldered | ● | ● | ● | ● | ● | ● | ● | ● | ● | ● | ● | ● | 3", 4", 5", 6" Oval Outlet - * |
| 39A Plain Tapered Conductor Head, Riveted | ● | ● | ● | ● | ● | ● | ● | ● | ● | ● | ● | ● | 3", 4" Oval Outlets, 4"x5" Square Outlet |
| 39B Molded Universal Conductor Head | ● | ● | ● | ● | ● | ● | ● | ● | ● | ● | ● | ● | White Polypropylene - Any Outlet Size or Shape |
| 40 Downspout Tube | ● | ● | ● | ● | ● | ● | ● | ● | ● | ● | ● | ● | 2", 3", 4" - Aluminum High Gloss White Only |
| 41 Eave Box - Open, Closed, Sloped | ● | ● | ● | ● | ● | ● | ● | ● | ● | ● | ● | ● | 3", 4" Round Outlets - Call for Available Sizes |
| 42 Stainless Steel Self Tapping Hex Screws #8 x 1/2 | ● | ● | ● | ● | ● | ● | ● | ● | ● | ● | ● | ● | Stainless Steel Compatible w/ all Metals |
| 43 #10 Combination Circle and Plate | ● | ● | ● | ● | ● | ● | ● | ● | ● | ● | ● | ● | 5", 6" |
| 44 Flex-A-Spout® | ● | ● | ● | ● | ● | ● | ● | ● | ● | ● | ● | ● | Available in Brown, Gray, White |
| 45 Splash Blocks | ● | ● | ● | ● | ● | ● | ● | ● | ● | ● | ● | ● | Available in Green, Brown, Gray |

* Note: Not all sizes are available in the materials shown in this chart. Please contact Berger for availability.

Shank Notes: #1 - for fascia, #6 - for ogee or crown moulding, fits contour, #10 - for fascia, #11 - for nailing to rafter, #12 - for nailing to sheeting, #25 - for nailing to sheeting, #30 - adjustable pitch for angled end rafters and fascia

K S T Y L E

GUTTER SYSTEMS AND ACCESSORIES



| DESCRIPTION | Material Options | | | | | | | | SIZES / NOTES |
|---|------------------|--------------------|--------------------|--------------------|---------------------|------------------|--------------------|--------|---|
| | Galvanized Steel | 26 Ga. Galv. Steel | 24 Ga. Galv. Steel | 26 Ga. Galv. Steel | Mill Finished Steel | Painted Aluminum | .032 Painted Alum. | Copper | |
| 1 K-Style Gutter | ● | ● | ● | ● | ● | ● | ● | ● | 5", 6", 7", 8" - * |
| 2 Square Corrugated Downspout | ● | ● | ● | ● | ● | ● | ● | ● | 2"x3", 3"x4", 4"x5" - * |
| 3 Plain Square Downspout | ● | ● | ● | ● | ● | ● | ● | ● | 2"x3", 3"x4" |
| 4 End Caps - Left or Right | ● | ● | ● | ● | ● | ● | ● | ● | 5", 6", 7", 8" - * |
| 5 End Section w/ Outlet | ● | ● | ● | ● | ● | ● | ● | ● | 5"x3" |
| 6 Slip Joint Connector | ● | ● | ● | ● | ● | ● | ● | ● | 5" - * |
| 7 90 Degree Box Miter - Outside or Inside | ● | ● | ● | ● | ● | ● | ● | ● | 5", 6", 7", 8" - * |
| 8 Elbows - A & B Style - Sq. Corr. & Plain Sq. | ● | ● | ● | ● | ● | ● | ● | ● | 2"x3", 3"x4", 4"x5", Custom for Pl. Sq. - * |
| 9 Outlet Tube - Oval, Square | ● | ● | ● | ● | ● | ● | ● | ● | 2"x3", 3"x4", 4"x5", 3" Oval, 4" Oval - * |
| 10 #40 Fascia Hanger w/ Snap Strap | ● | ● | ● | ● | ● | ● | ● | ● | 5", 6" - * |
| 11 #41 Rafter Hanger w/ Snap Strap | ● | ● | ● | ● | ● | ● | ● | ● | 5", 6" - * |
| 12 Snap Strap | ● | ● | ● | ● | ● | ● | ● | ● | |
| 13 Premium Fascia Hanger w/ Crossbar | ● | ● | ● | ● | ● | ● | ● | ● | 5", 6" |
| 14 Wrap around Hanger | ● | ● | ● | ● | ● | ● | ● | ● | 5", 6" - * |
| 15 Gutter Spike / Gutter Screw | ● | ● | ● | ● | ● | ● | ● | ● | 7", 8" |
| 16 Ferrule | ● | ● | ● | ● | ● | ● | ● | ● | 4", 5", 6" - * |
| 17 Universal Band | ● | ● | ● | ● | ● | ● | ● | ● | |
| 18 Square Stamped Sickle Hook | ● | ● | ● | ● | ● | ● | ● | ● | 2"x3", 3"x4" |
| 19 Metco Ornamental Conductor Band | ● | ● | ● | ● | ● | ● | ● | ● | 3", 4" |
| 20 Heavy Duty Channel Brick Hook | ● | ● | ● | ● | ● | ● | ● | ● | 2"x3", 3"x4" |
| 21 Hidden Hanger | ● | ● | ● | ● | ● | ● | ● | ● | 5", 6", 7", 8" |
| 22 Hidden Hanger w/ Screw | ● | ● | ● | ● | ● | ● | ● | ● | 5", 6" |
| 23 Heavy Duty Hidden Hanger | ● | ● | ● | ● | ● | ● | ● | ● | 5", 6" |
| 24 H-15 Hidden Hanger | ● | ● | ● | ● | ● | ● | ● | ● | 5" |
| 25 H-16 Hidden Hanger | ● | ● | ● | ● | ● | ● | ● | ● | 6" |
| 26 Custom Crossbar Hanger | ● | ● | ● | ● | ● | ● | ● | ● | 5", 6", 7", 8" |
| 27 Roof Bar Hanger w/ Rod & Nut | ● | ● | ● | ● | ● | ● | ● | ● | 5" |
| 28 Sq. Side Fasten / Wire Downspout Hooks | ● | ● | ● | ● | ● | ● | ● | ● | 3"x4", 4"x5" - * |
| 29 U-Bracket Downspout Hanger | ● | ● | ● | ● | ● | ● | ● | ● | 2"x3" - Aluminum White Only |
| 30 Conductor Bracket Downspout Hanger | ● | ● | ● | ● | ● | ● | ● | ● | 2"x3" |
| 31 90 Degree Strip Miter - Outside or Inside | ● | ● | ● | ● | ● | ● | ● | ● | 5", 6" |
| 32 Funnels | ● | ● | ● | ● | ● | ● | ● | ● | 3", 4" Round Outlets |
| 33 Pop Rivets | ● | ● | ● | ● | ● | ● | ● | ● | A-42, A-44 |
| 34 Touch Up Paint - 12 oz. Can | ● | ● | ● | ● | ● | ● | ● | ● | Call for Available Colors |
| 35 Gutter Mastic - 5 oz. Tube | ● | ● | ● | ● | ● | ● | ● | ● | Call for Available Colors |
| 36 Round Wire Strainer | ● | ● | ● | ● | ● | ● | ● | ● | 2", 3", 4", 5", 6" |
| 37 Stamped Drives #0, #4, #6 | ● | ● | ● | ● | ● | ● | ● | ● | #0 Masonry / #4, #6 Wood |
| 38 Malleable Drive #5 | ● | ● | ● | ● | ● | ● | ● | ● | Wood Drive |
| 39 Key Only | ● | ● | ● | ● | ● | ● | ● | ● | |
| 40 Rack & Key Set | ● | ● | ● | ● | ● | ● | ● | ● | |
| 41 #14 Ornate Conductor Head, Soldered | ● | ● | ● | ● | ● | ● | ● | ● | 3", 4", 5", 6" Oval Outlet - * |
| 42A Plain Tapered Conductor Head, Riveted | ● | ● | ● | ● | ● | ● | ● | ● | 3", 4" Oval Outlets, 4"x5" Square Outlet |
| 42B Molded Universal Conductor Head | ● | ● | ● | ● | ● | ● | ● | ● | White Polypropylene - Any Outlet Size or Shape |
| 43 Downspout Tube | ● | ● | ● | ● | ● | ● | ● | ● | 2", 3", 4" - Aluminum High Gloss White Only |
| 44 Eave Box - Open, Closed, Sloped | ● | ● | ● | ● | ● | ● | ● | ● | 3", 4" Round Outlets - Call for Available Sizes |
| 45 Square Corrugated "Y" Funnel | ● | ● | ● | ● | ● | ● | ● | ● | 2"x3", 3"x4" |
| 46 Square Corrugated Cutoff w/ Diverter | ● | ● | ● | ● | ● | ● | ● | ● | 2"x3", 3"x4" |
| 47 Square Corrugated Offset | ● | ● | ● | ● | ● | ● | ● | ● | 2"x3", 3"x4" |
| 48 Stainless Steel Self Tapping Hex Screws #8 x 1/2 | ● | ● | ● | ● | ● | ● | ● | ● | Stainless Steel Compatible w/ all Metals |
| 49 Hinged Gutter Guard | ● | ● | ● | ● | ● | ● | ● | ● | 5", 6" |
| 50 Drop-In Gutter Guard | ● | ● | ● | ● | ● | ● | ● | ● | 5" |
| 51 Flex-A-Spout® | ● | ● | ● | ● | ● | ● | ● | ● | Brown, Green, White |
| 52 Splash Blocks | ● | ● | ● | ● | ● | ● | ● | ● | Green, Brown, Gray |

* Note: Not all sizes are available in the materials shown in this chart. Please contact Berger for availability.

ALUMINUM ROOF DRAINAGE PRODUCTS ACCESSORIES & EDGINGS

| | | | | | | | | | | | |
|--|--|--|--|--|--|--|--|--|---|--|--|
| HALF ROUND GUTTER | | | MITERS OUTSIDE INSIDE | | | K GUTTER APRON, PITCHED APRON, STRAIGHT BACK OR HEM BACK | | | | | |
| HR ACCESSORIES D END PIECE S SLIP JOINT 3" WB POP OUTLET WF "B" OUTLET C END CAP | | | CONDUCTOR HEAD MOLDED UNIVERSAL CONDUCTOR HEAD SIZES: 3", 4", & 5" | | | K ACCESSORIES WIRE STRAINER WF OVAL OUTLET K END PIECE K END CAP | | | | | |
| SHANKS EXTENSION SHANK #10 COMBINATION HANGER | | | CIRCLE SNAP STRAP ON HANGER 40K 41K | | | HANGERS CROSSBAR HANGER 5" HIDDEN HANGER 6" HIDDEN HANGER HIDDEN HANGER WITH SCREW HR RIVAL STRAP HANGER K WRAP AROUND HANGER | | | | | |
| ROUND DOWNSPOUT PLAIN: 2", 3", 4", 5", 6" 4PL 3PL 4RC 3RC CORRUGATED: 3", 4", 5" 6" | | | RC ELBOWS FUNNEL | | | EAVE BOXES OPEN, CLOSED OR SLOPED | | | SQ CORR ELBOWS 4 X 5 SQ CORR 3 X 4 SQ CORR 2 X 3 SQ CORR | | |
| SNOW GUARDS #100 SHOE #20 RT SERIES RTMINI SNOW MEISTER SERIES MULLANE #630 #95 ASSEMBLY | | | DRIVES & PIPE FASTENERS #0 #4 #6 #5 #2 ASSEMBLY | | | RD HOOKS 3" 4" SICKLE HOOKS 3" 4" UNIVERSAL BAND ORNAMENTAL COND BAND | | | | | |
| W VALLEY FLASHING MF. ALUM., COPPER, GALVANIZED RIDGE ROLL KICK-OUT DIVERTERS STARTER STRIP STEP FLASHING VALLEY FLASHING | | | ROOF FLASHING, TRIM AND EDGING B4 1/2 C5 1/2 E6 F8 H5 1/2 H7 C3 1/2 D3 F4 1/2 FR5 H6F VENTED DRIP EDGE C4 1/2 E4 F5 ODE H6F | | | | | | | | |

Since 1874, makers of quality building products in **Painted Aluminum, Copper, Painted Steel, Galvanized Steel and Paint Grip**. Other materials available by special order.