

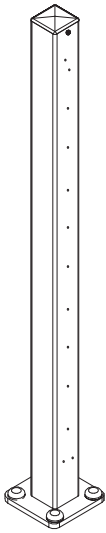
Installation Instructions

for DesignRail® Aluminum Railing Kits

Note: Prior to beginning installation, verify all parts and thoroughly review all of the installation instructions. Consult local building code for all railing construction requirements in your area.

For complete information on installation, care & maintenance, warranty, and product registration, visit feeneyinc.com/DRinfo

DesignRail® Kits General Information page 2



DesignRail® Post Kits

Package Contents page 3

Layout Guidelines page 4

Post Kits Level Condition Installation page 5

Post Kits Stair Condition Installation page 8

DesignRail® Rail Kits

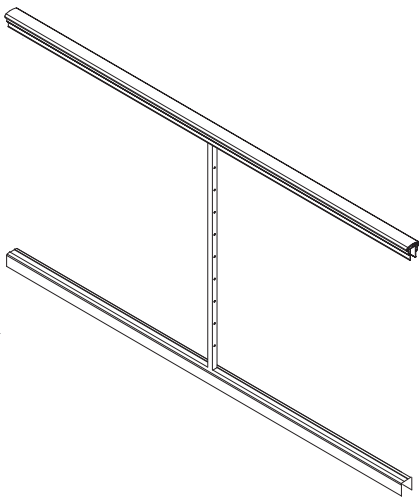
Package Contents page 3

Rail Kits Level Condition Installation page 6

Rail Kits Stair Condition Installation page 9

Rail Kits Between Wood Posts Installation page 13

DesignRail® Kits Accessories page 18

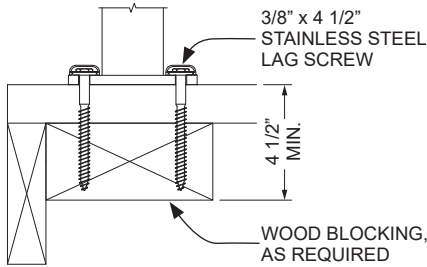


DesignRail® Kits - General Information

DesignRail® Railing Kits are comprised of Post Kits, Rail Kits and Accessories.

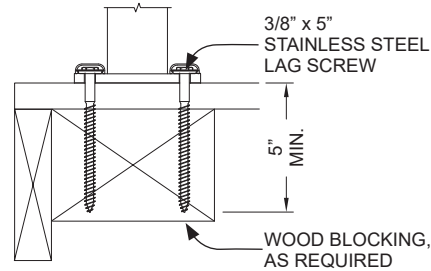
DesignRail® Post Kits are pre-drilled for 1/8" CableRail Kits for metal posts. (6200 Series)

DesignRail® Post Kits come with a pre-attached base plate and are supplied with stainless steel lag screws for attachment to wood. Sufficient wood blocking is required to ensure proper lag screw thread engagement into solid wood structure (See Figures 1.1 and 1.2 below). Visit www.feeneyinc.com/DRinfo for information on mounting into other materials.



LAG SCREW BLOCKING REQUIREMENTS FOR 36" POST KITS

Figure 1.1



LAG SCREW BLOCKING REQUIREMENTS FOR 42" POST KITS

Figure 1.2

Post Kits and Rail Kits are available in 36" or 42" railing heights for level conditions and 36" height for stair conditions.

DesignRail® Aluminum Rail Kits can also be used with installer supplied wood posts. For instructions on installing Rail Kits in wood posts, see DesignRail® Rail Kits between wood posts installation instructions, on page 13.

Isolation Pads are recommended to prevent direct contact of pressure treated wood with aluminum products. Rail Kits include Isolation Pads that can be placed between wood posts and the exposed ends of the Top and Bottom Rails.

Isolation Bushings are recommended to prevent contact of dissimilar metals in environments exposed to salt water or other airborne contaminants. See DesignRail® Kit accessories for Isolation Bushings and Isolation Pads (sold separately).

The recommended overall installation sequence is as follows:

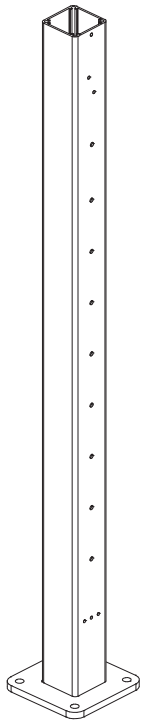
1. Determine post layout
2. Install Level Post Kits
3. Install Level Rail Kits
4. Install Stair Post Kits (if applicable)
5. Install Stair Rail Kits (if applicable)
6. Install CableRail Kits

TOOLS NEEDED:

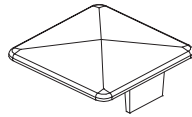
- Safety glasses
- Ear protection
- Gloves
- Measuring tape
- Felt tip marker
- Miter saw with fine-tooth blade for non-ferrous metals
- String
- Level
- Small file
- Electric drill
- #2 square-drive bits
- Drill bits, assorted sizes
- 9/16" socket wrench

(See CableRail instructions for information on tools required for CableRail Installation.)

Post Kits - Package Contents



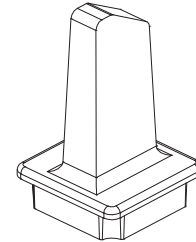
(1x) Pre-drilled post with attached base plate
(36" Level Post Shown)



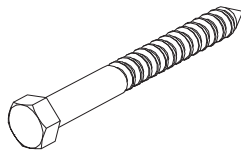
(1x) Post Cap



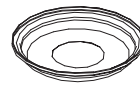
(2x) #8 x 3/4" Stainless Steel Self-Tapping Screw
(INS Post Kit includes 4)



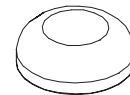
(x1) - Stair Post Adapter
(INS Post Kit only)



(4x) 3/8" Lag Screw
4-1/2" long for 36" Post Kits
5" long for 42" Post Kits



(4x) Retaining Washers



(4x) Vinyl Caps

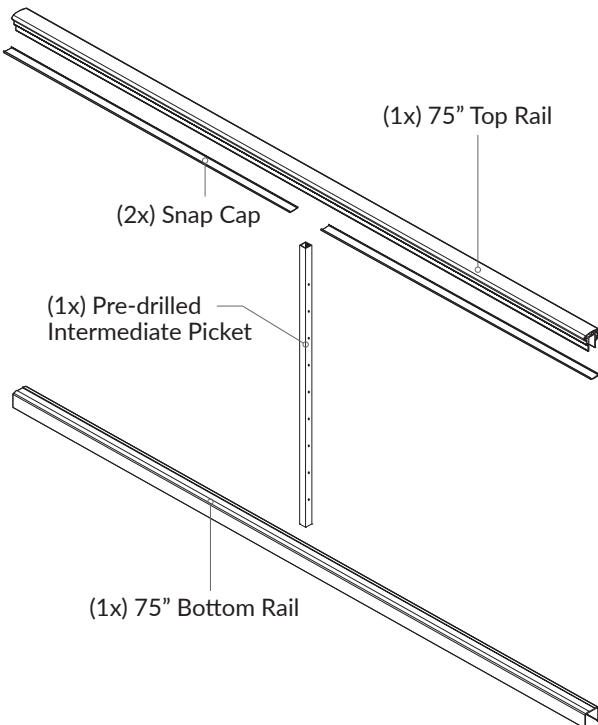


(2x) 1123 Isolation Bushing
(42" NP Post Kit only)



(2x) 1124 Isolation Bushing
(42" NP Post Kit only)

Rail Kits - Package Contents



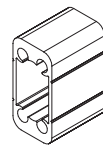
(1x) 75" Top Rail

(2x) Snap Cap

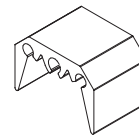
(1x) Pre-drilled Intermediate Picket

(1x) 75" Bottom Rail

(36" Level Rail Kit Shown)

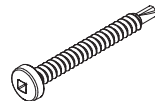


(2x) Top RCB



(2x) Bottom RCB

Level Rail Kit RCBs



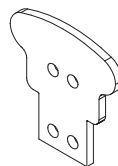
(8x) #10 x 1-3/4" Stainless Steel Self-Tapping Screw



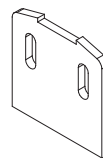
(8x) #8 x 3/4" Stainless Steel Self-Tapping Screw



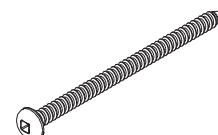
(1x) #10 x 3/4" Stainless Steel Pan Head Screw



(2x) Top Rail Isolation Pad



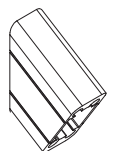
(2x) Bottom Rail Isolation Pad



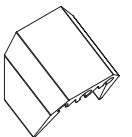
(8x) #10 x 3" Wood Screw

For use with wood posts only

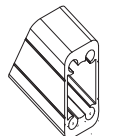
Stair Rail Kit RCBs



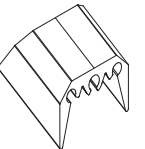
(x1) Top RCB for Upper Post



(x1) Bottom RCB for Upper Post



(x1) Top RCB for Lower Post



(x1) Bottom RCB for Lower Post

Post Kits - Layout Guidelines

Position posts over sufficient blocking. (See Figures 1.1 and 1.2 on Page 2)

Position termination posts (TT) and (QC) posts between 3" and 3-3/4" away from wall for easier installation of CableRail Kits.

Space posts no more than 6-ft apart (center to center).

Use an intermediate picket (included in the Rail Kits) at least every 3-ft to reduce cable deflection.

Straight runs of cable should not exceed 70-ft, and runs with bends (2 bends at most) should not exceed 40-ft.

If project requires Stair Post Kits make sure to line-up the Level Post Kits using the same setback as the Newel Stair Post Kits (NR/NL/NP). (See Figure 4.1)

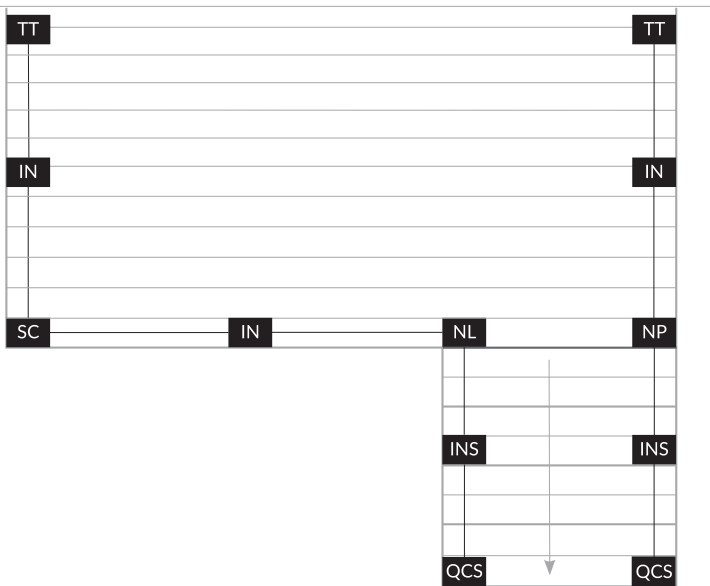
When transitioning from level to stairs in a straight line, use a Newel Passthrough Post Kit (NP) to continue cables straight through and down the stairs. (See Figures 1.3 and 1.4)

When transitioning from level to stairs at a 90-degree turn, use a Newel Termination Post Kit Left (NL) or a Newel Termination Post Right Post Kit (NR). (see Figures 1.3 and 1.4)

For stand-alone stairs use Quick-Connect® Stair Post Kits (QCS) at the bottom of the stairs and Threaded Terminal Stair Post Kits (TTS) at the top of the stairs. (See Figure 1.5)

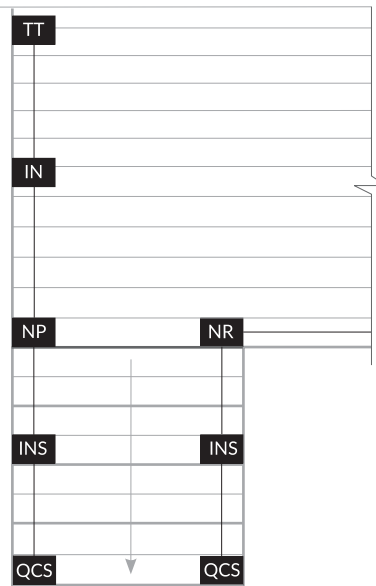
POST KIT TYPES

- IN** Intermediate Post Kit
- TT** Threaded Terminal Post Kit
- QC** Quick-Connect® Post Kit
- SC** Single Corner Post Kit
- NR** Newel Termination Post Kit (Right)
- NL** Newel Termination Post Kit (Left)
- NP** Newel Passthrough Post Kit
- INS** Intermediate Stair Post Kit
- TTS** Threaded Terminal Stair Post Kit
- QCS** Quick-Connect® Stair Post Kit



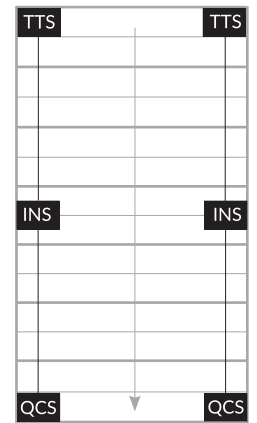
SAMPLE LAYOUT WITH STAIR ON RIGHT SIDE OF DECK

Figure 1.3



SAMPLE LAYOUT WITH STAIR ON LEFT SIDE OF DECK

Figure 1.4



SAMPLE LAYOUT STAND-ALONE STAIR

Figure 1.5

Post Kits - Level Condition Installation

STEP 1 - ATTACH POSTS

Review all post locations and blocking requirements. (See Figures 1.1 and 1.2 on pg. 2)

Attach the posts to the surface using the mounting lag screws. (See Figure 2.1)

Note: If project is located in a harsh environment, or is using pressure treated wood, use Isolation Pads (sold separately) to protect the base plates from mounting surface contaminants (see Isolation Pad packaging for installation instructions).

Mount the end posts first, then move to the intermediate posts. **Be sure that the posts are aligned so that the Rail Connecting Bracket (RCB) holes are facing the adjacent posts.** Use a string line and level to make sure that all of the posts are in a straight line and plumb; shim as necessary. Cover the lag screw heads using the Vinyl Caps and Retaining Washers.

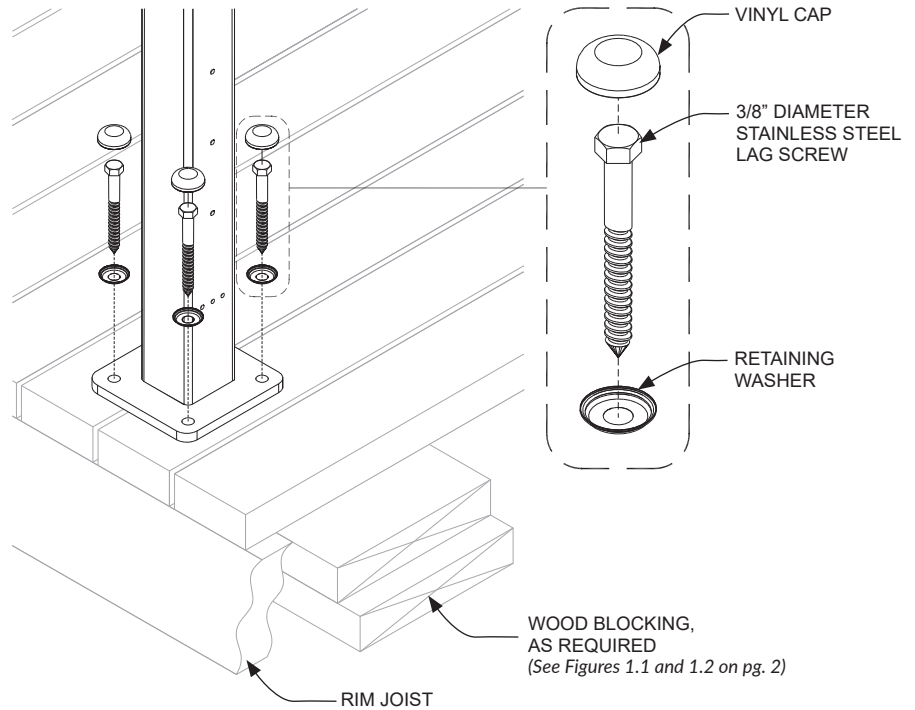


Figure 2.1

STEP 2 - ATTACH POST CAPS TO POSTS

Insert the Post Cap on the top of the post, oriented so that the tabs are behind the pre-drilled hole locations at the top of the post. (See Figure 2.2)

Using the pre-drilled hole at the top of the post as a guide, drill a hole through the post cap tab with a 1/8" drill bit.

Secure the post cap to the post using two #8 x 3/4" screws. (See Figure 2.3)

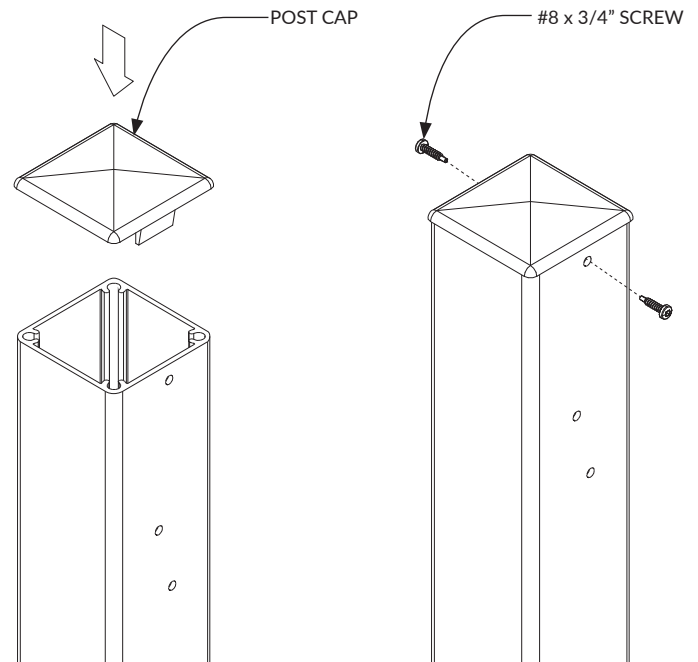


Figure 2.2

Figure 2.3

Rail Kits - Level Condition Installation

STEP 1 - ATTACH RCBs TO POSTS

Attach the Top and Bottom Rail Connecting Brackets (RCBs) to each post using the stainless steel #10 x 1-3/4" self-tapping screws. (See Figure 3.1)

Each RCB requires two screws and the RCB holes are pre-drilled in all posts where required.

Note: There are 3 pre-drilled holes at the bottom RCB location, but only the two outer holes are used for this application.

Intermediate Posts (IN), Single Corner Posts (SC) and Newel Posts (NL/NR/NP) will have top and bottom RCBs on two sides.

Threaded Terminal Posts (TT) and Quick-Connect® Posts (QC) will require top and bottom RCBs on one side.

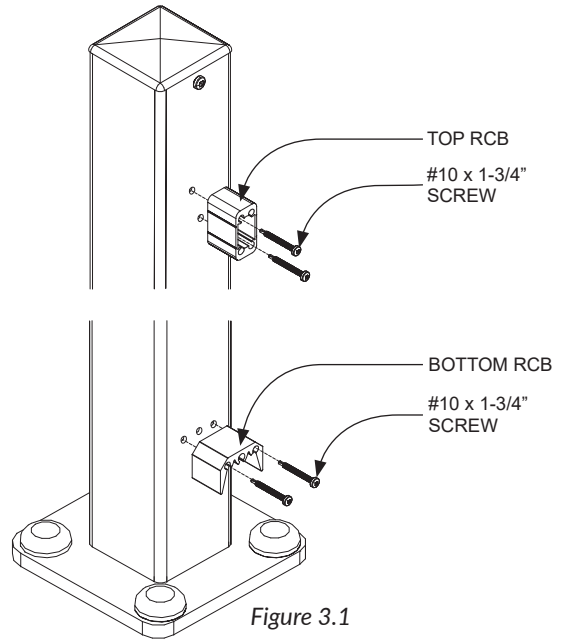


Figure 3.1

STEP 2 - ASSEMBLE RAIL KITS

Measure the open width between each set of posts. (See Figure 3.2)

Note: Be sure to take two measurements: one just above the top RCBs for the Top Rail and one just above the bottom RCBs for the Bottom Rail.

Trim the Top Rails and Bottom Rails to match the corresponding measurements.

Note: The rails can be trimmed 1/16" short to prevent damage to the posts when the Rail Kit Assembly is installed.

Attach the Intermediate Picket to the center of the Top Rail using a #8 x 3/4" screw and to the center of the Bottom Rail using a #10 x 3/4" screw. (See Figure 3.3)

Note: Drill a 1/8" pilot hole for the #8 screw and a 1/4" pilot hole through the Bottom Rail for the #10 screw; the 1/4" hole must be drilled slightly off center to align with the Intermediate Picket screw chase. The #8 and #10 screws require a #2 square drive bit (bit not included). (See Figure 3.3)

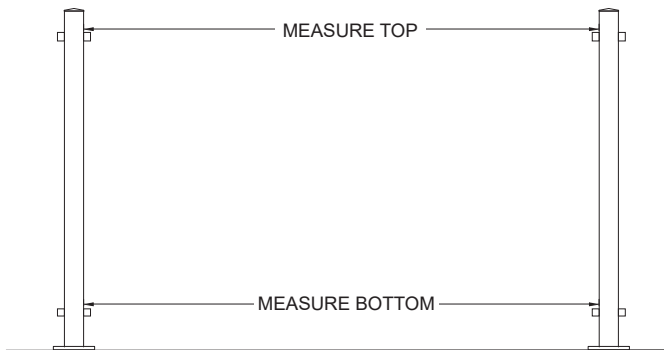


Figure 3.2

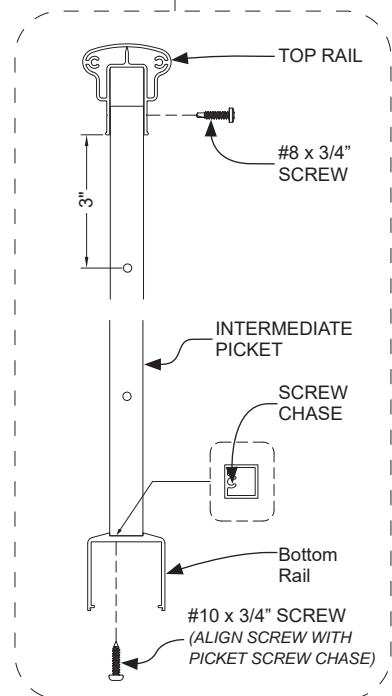
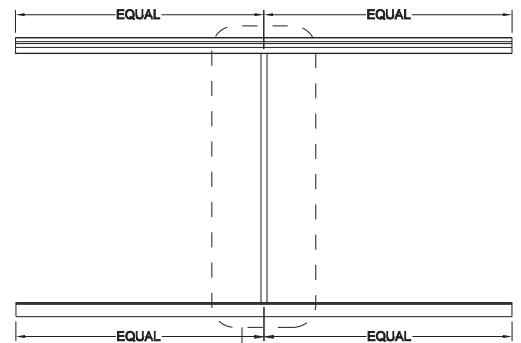


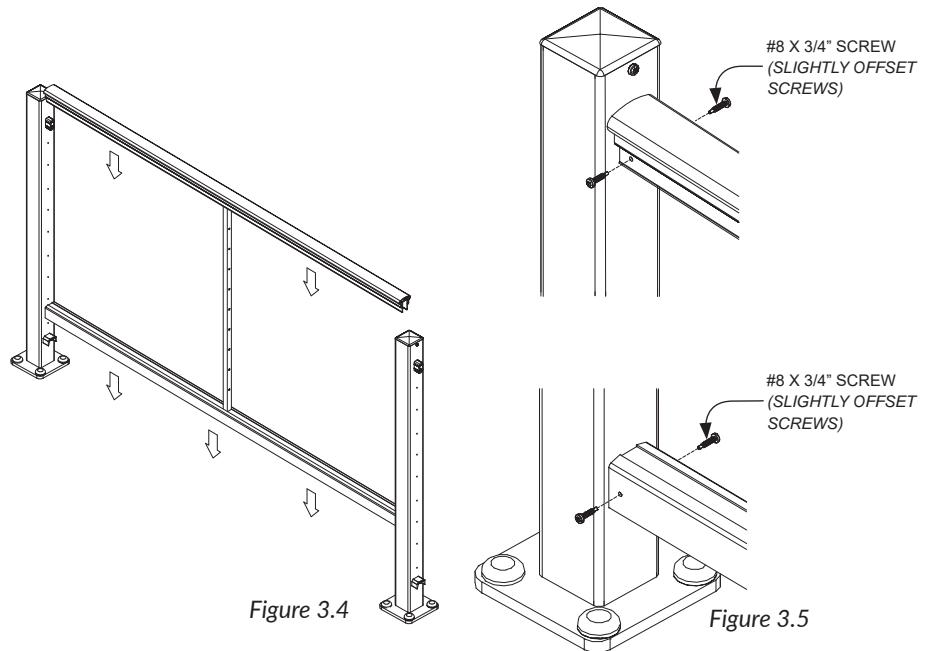
Figure 3.3

STEP 3 – ATTACH RAIL KITS TO POSTS

Insert the Rail Kit assembly between the posts and slide down onto the RCBs. (See Figure 3.4)

Secure the Top Rail and Bottom Rail to the RCBs using two #8 x 3/4" screws at each RCB location. (See Figure 3.5)

Note: Drill 1/8" pilot holes for the screws and offset the holes slightly so that the screws do not hit one another inside the RCBs. The screws require a #2 square drive bit (bit not included).

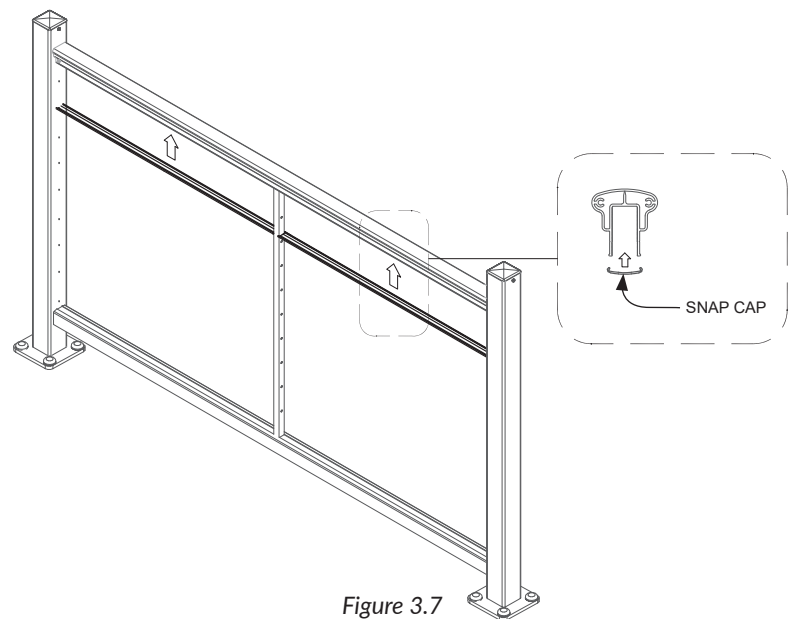
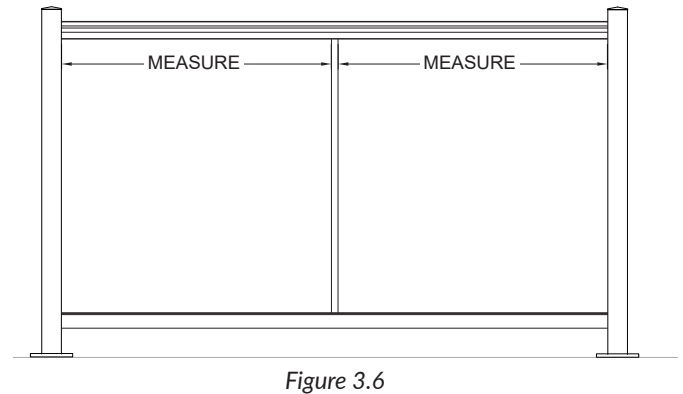


STEP 4 – CUT AND ATTACH SNAP CAP

Measure underneath the Top Rail from the face of the Intermediate Picket to the adjacent post faces. (See Figure 3.6)

Trim the Snap Caps to match the corresponding measurements (trim the end with the hole).

Position the Snap Caps so the trimmed end is against the post. Press the Snap Caps onto the bottom of the Top Rails until they click and lock into place. (See Figure 3.7)



NEXT STEPS:

Continue to Stair Post Kit installation, if applicable. (Continue on Page 8)

OR

Continue to CableRail infill installation. (See CableRail packaging for instructions)

Note: If project is located in a harsh environment (such as within 2 miles of saltwater) install Isolation Bushings in all posts. (See packaging for installation instructions)

Post Kits - Stair Condition Installation

STEP 1 - ATTACH POSTS

Review all post locations and blocking requirements. (See Figures 1.1 and 1.2 on pg. 2)

Posts can be setback so that the edge of the base plate measures maximum 2" from edge of nosing. (See Figure 4.1) All stair posts and adjacent level posts need to have the same setback in order to line-up correctly.

Mount the Newel or Threaded Terminal Stair posts (NR/NL/NP or TTS) at the top of the stairs first, followed by the Quick-Connect® Stair posts (QCS) at the bottom of the stairs. Then mount the Intermediate Stair posts (INS).

Be sure that all posts are oriented in the correct direction so that the RCB holes are facing RCB holes on adjacent posts. (See Figure 4.2) Also be sure that the pre-drilled cable holes are aligned with the angle of the stair, by making the high side holes face the top of the stair, and the low side holes face the bottom of the stair. (See Figure 4.5)

Use a string line and level to make sure that all of the posts are in a straight line and plumb; shim as necessary.

Attach the posts to the surface using the included mounting lag screws. (See Figure 4.1) Cover the lag screw heads using the Vinyl Caps and Retaining Washers.

Note: If project is located in a harsh environment, use Isolation Pads (sold separately) to protect the base plates from mounting surface contaminants (see packaging for installation information).

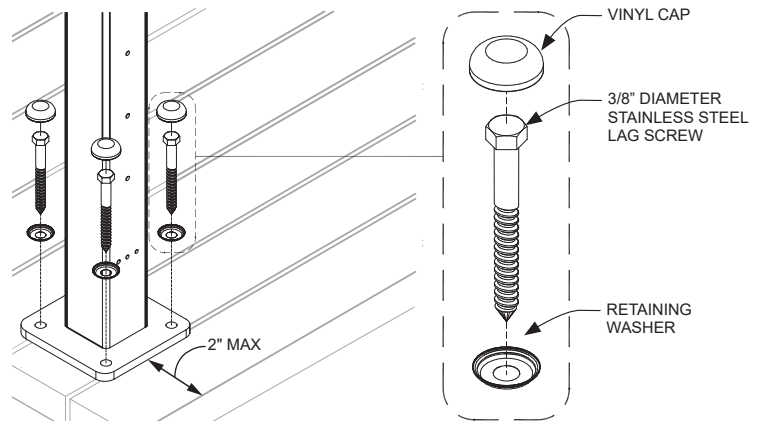


Figure 4.1

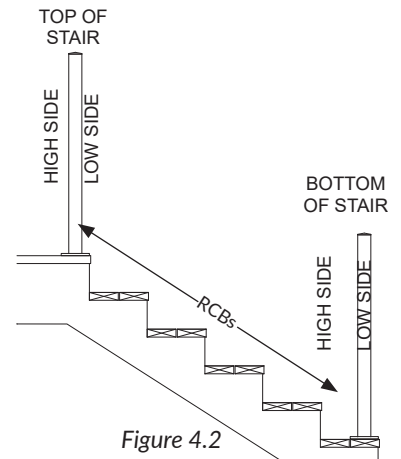


Figure 4.2

STEP 2 - ATTACH POST CAPS TO POSTS

Insert the Post Cap on the top of the post, oriented so that the tabs are behind the pre-drilled hole locations at the top of the post. (See Figure 4.3)

Using the pre-drilled hole at the top of the post as a guide, drill a hole through the post cap tab with a 1/8" drill bit.

Secure the post cap to the post using two #8 x 3/4" screws. (See Figure 4.4)

If project requires Intermediate Stair Post Kit (INS), install Stair Post Adapter using four #8 x 3/4" screws. Be sure to orient the Stair Post Adapter so that the top slopes are aligned with the holes in the post. (See Figure 4.5)

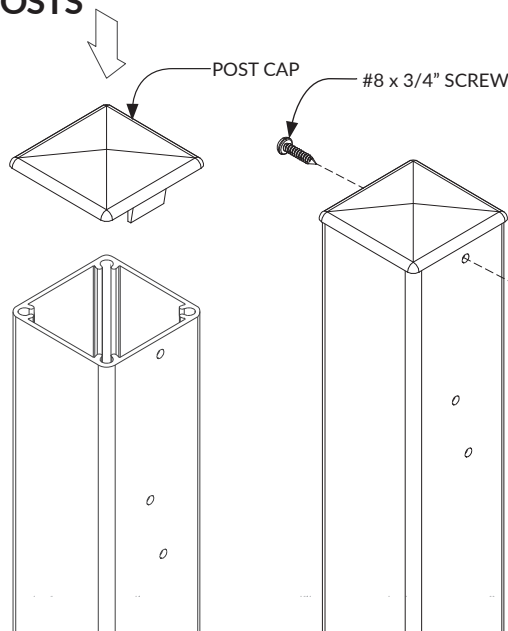


Figure 4.3

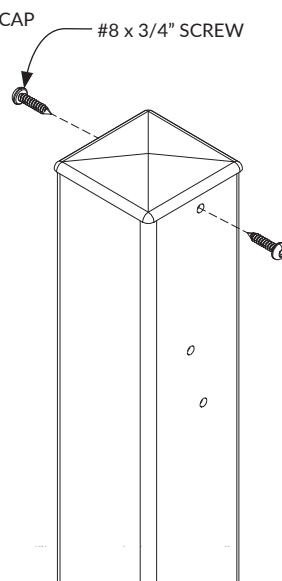


Figure 4.4

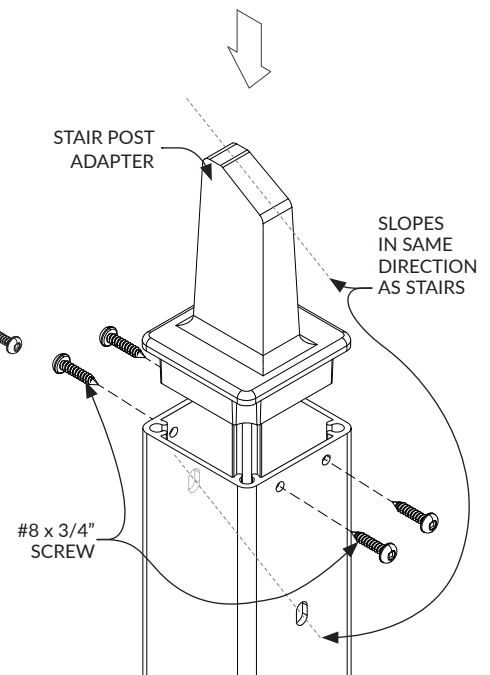


Figure 4.5

Rail Kits - Stair Condition Installation

STEP 1 - ATTACH RCBs TO POSTS

Attach the Top and Bottom Rail Connecting Brackets (RCBs) to each post using the included stainless steel #10 x 1-3/4" self-tapping screws. (See Figure 5.1)

Each RCB requires two screws and the RCB holes are pre-drilled in all posts where required.

Note: There are three pre-drilled holes at the Bottom Rail RCB location, but only the two outer holes are used for this application.

Intermediate Stair Posts (INS) posts will have top and bottom RCBs on two sides. Threaded Terminal Stair (TTS) posts will require top and bottom RCBs on the low side, and Quick Connect® Stair (QCS) posts will require top and bottom RCBs on the high side. Newel posts (NL/NR/NP) will have a combination of level top and bottom RCBs on one side and stair top and bottom RCBs on the low side.

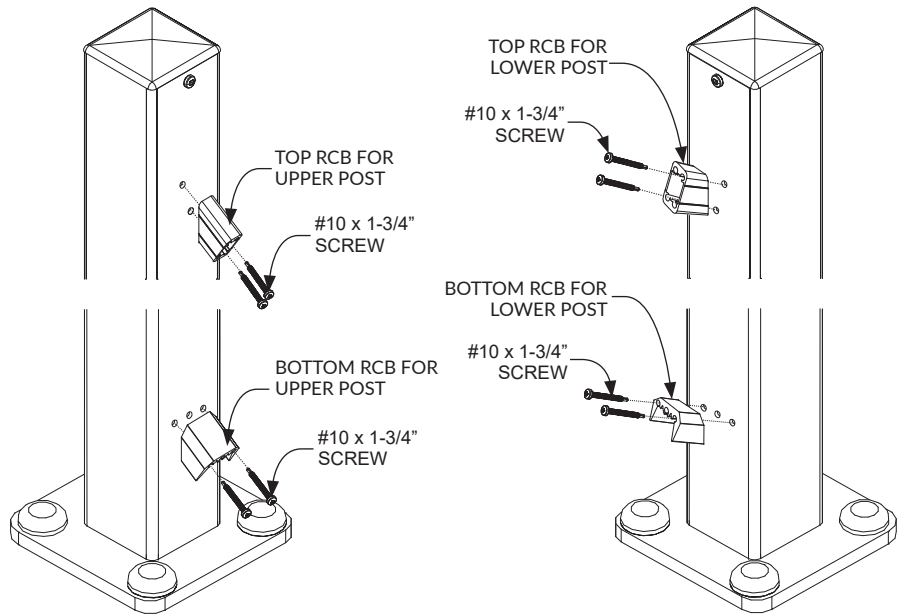


Figure 5.1

STEP 1a - 42" NEWEL PASSTHROUGH POST CABLE AND RCB INSTALLATION

If project uses a 42" Newel Passthrough Post Kit (NP), the top two level cables need to be installed prior to the Stair Rail Kit installation.

Install the top two cables on the level portion (reference CableRail installation instructions). Do not use an end cap on the Quick-Connect® fitting of the second cable. (See Figure 5.2)

Note: If project is in a harsh environment, use the included Isolation Bushings on the holes for the top two cables. Isolation Bushings should also be installed on any other posts that the top two cables share (see Isolation Bushings on page 19). The bottom 9 cables will require a separate package of Isolation Bushings (1100-SCIS-PKG, sold separately).

Attach the top RCB to the Newel Passthrough Post using the stainless steel #10 x 1-3/4" self-tapping screws. (See Figure 5.3)

Note: The Top Rail will cover the Quick-Connect® fitting of the second hole when it's attached. (See Figure 5.4)

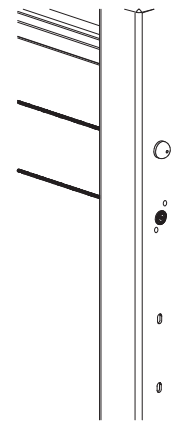


Figure 5.2

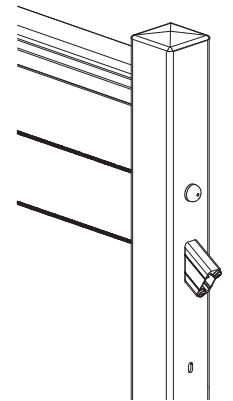


Figure 5.3

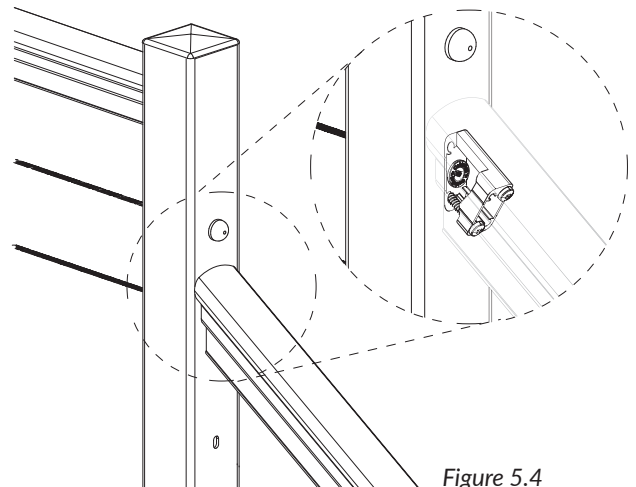


Figure 5.4

STEP 3 - ASSEMBLE RAIL KITS

Measure the open width between each set of posts. (See Figure 5.5)

Note: Be sure to take two measurements; one just above the top RCBs for the Top Rail and one just above the bottom RCBs for the Bottom Rail.

Trim the Top Rail and Bottom Rail to match the corresponding measurements. Be sure to miter the cuts on both ends of the Top and Bottom Rails to accommodate stair angle. (See Figure 5.6)
If splicing Top Rail over Intermediate Stair Post (INS), leave the splice end square (90°). (See Step 4a on pg. 11)

Note: The rails can be trimmed 1/16" short to prevent damage to the posts when the Rail Kit Assembly is installed (bit sold separately).

Attach the Intermediate Picket to the center of the Top Rail using a #8 x 3/4" screw and to the center of the Bottom Rail using a #10 x 3/4" screw. (See Figure 5.6)

Note: Drill a 1/8" pilot hole for the #8 screw and a 1/4" pilot hole through the Bottom Rail for the #10 screw; the 1/4" hole must be drilled slightly off center to align with the Intermediate Picket screw chase. The #8 and #10 screws require a #2 square drive bit. (See Figure 5.6)

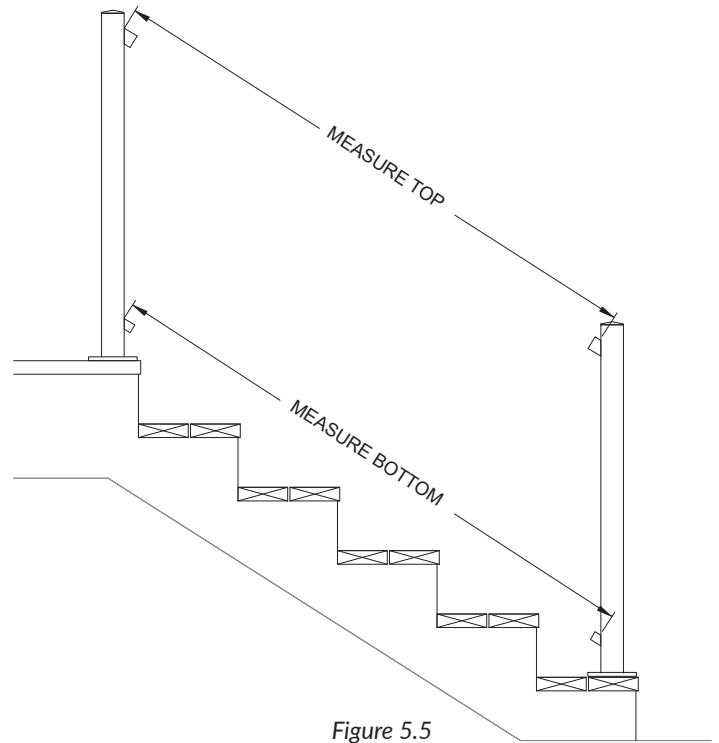


Figure 5.5

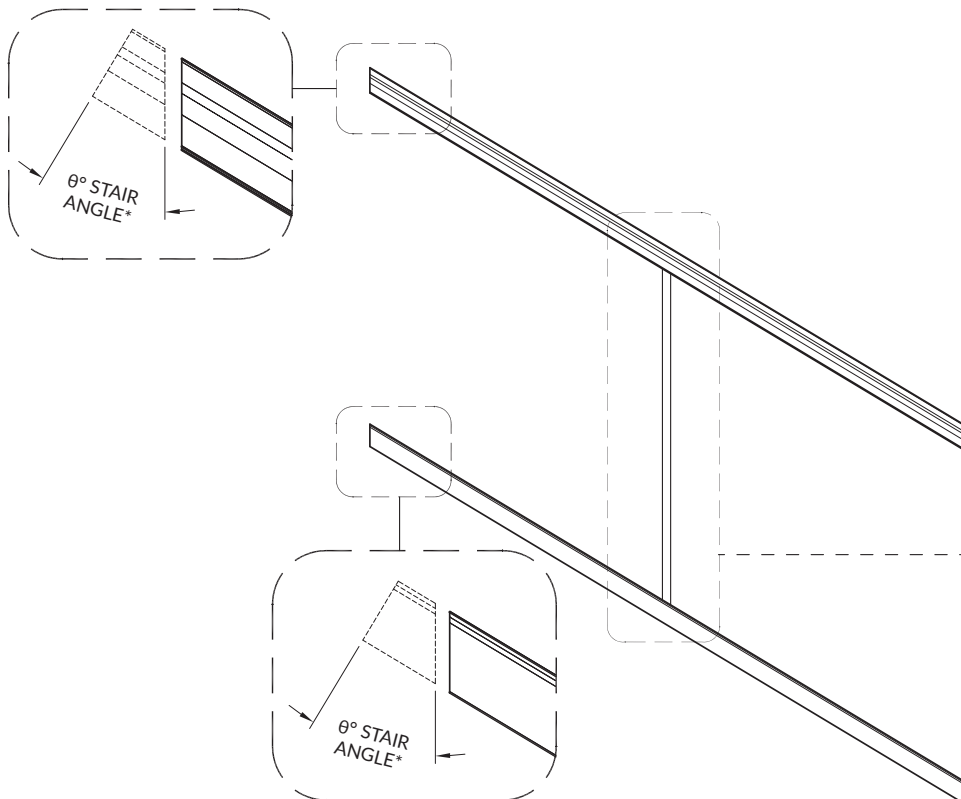
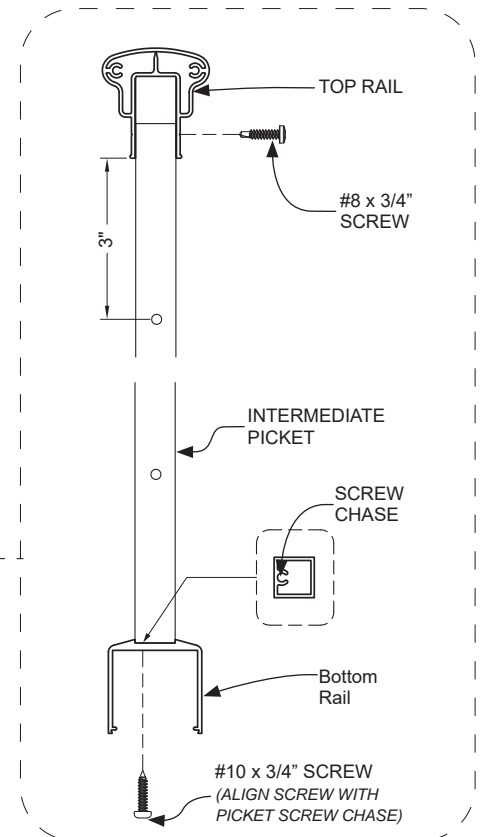


Figure 5.6



* If splicing at Stair Post Adapter, cut end square. (See Figure 5.10 on pg. 11)

STEP 4 - ATTACH RAIL KITS TO POSTS

Insert the Rail Kit assembly between the posts and slide down onto the RCBs. (See Figure 5.7)

Secure the Top and Bottom Rails to the RCBs using two #8 x 3/4" screws for each RCB. (See Figure 5.8)

Note: Drill 1/8" pilot holes for the screws and offset the holes slightly so that the screws do not hit one another inside the RCBs. The screws require a #2 square drive bit (bit not included).

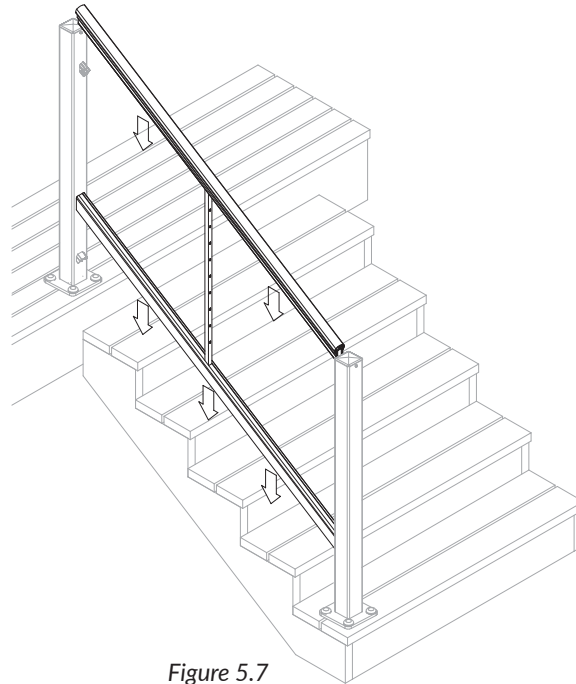


Figure 5.7

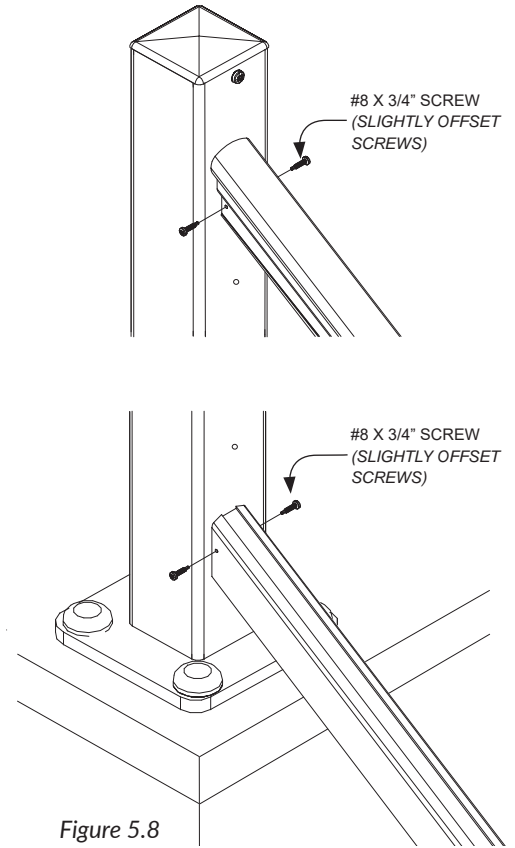


Figure 5.8

STEP 4a - TOP RAIL SPLICE

If an Intermediate Stair Post (INS) is being used, the Top Rail will need to be spliced over the Stair Post Adapter. (See Figure 5.9)

The adjoining Top Rail sections will need to be square (90°) at the ends where they will be spliced together.

Slide the Top Rail down and over the Stair Post Adapter. Attach both ends using #8 x 3/4" screws. (See Figure 5.10)

Note: Drill 1/8" pilot holes for the screws and offset the holes slightly so that the screws do not hit one another inside the Stair Post Adapter. The screws require a #2 square drive bit (bit not included).

Repeat the process for additional Top Rail sections, making splice seams at each Intermediate Stair Post (INS). (See Figure 5.11)

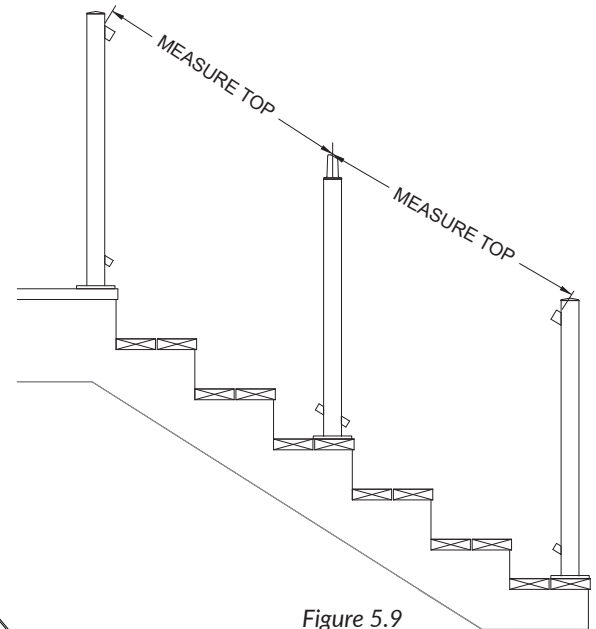


Figure 5.9

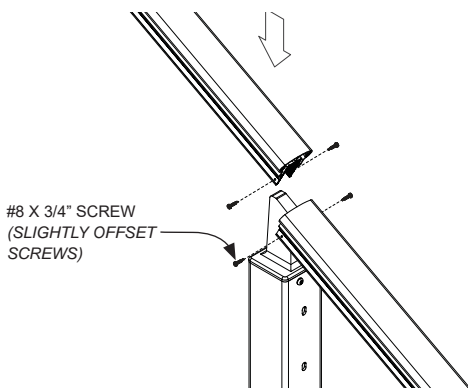


Figure 5.10

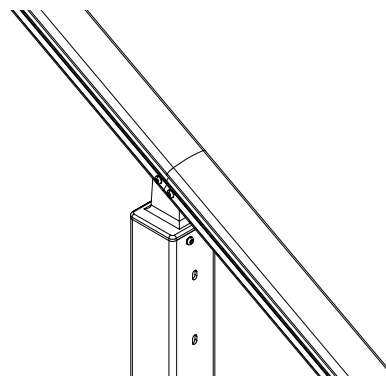


Figure 5.11

STEP 5 – CUT AND ATTACH SNAP CAP

Measure underneath the Top Rail from the face of the Intermediate Picket to the adjacent post faces.

(See Figure 5.12)

Trim the Snap Caps to match the corresponding measurements. (Trim the end with the hole)

Position the Snap Caps so the trimmed end is against the post. Press the Snap Caps onto the bottom of the Top Rails until they click and lock into place. (See Figure 5.13)

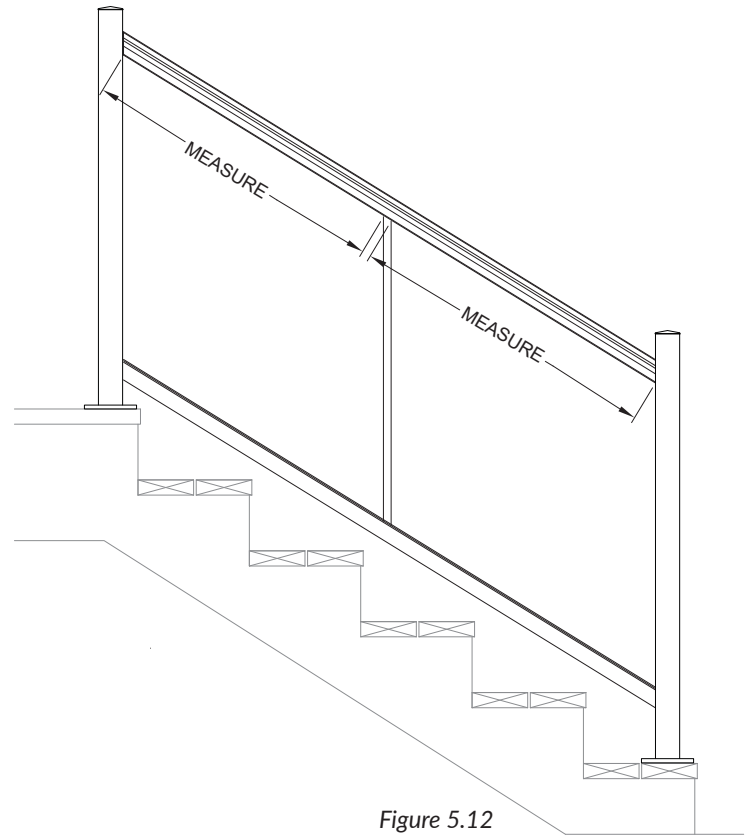


Figure 5.12

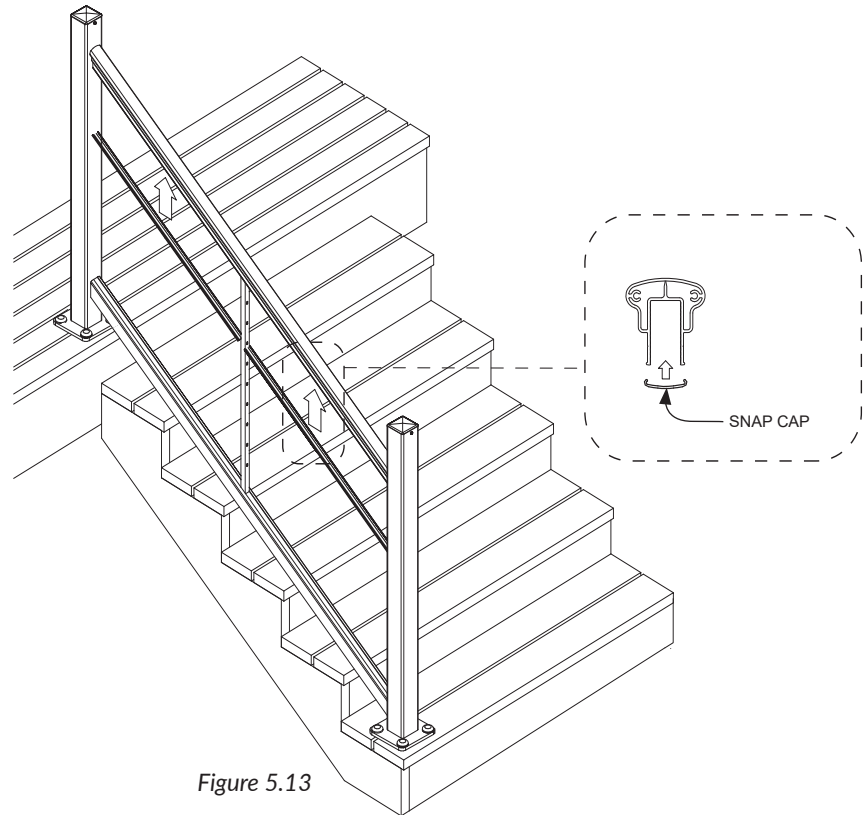


Figure 5.13

NEXT STEPS:

Continue to CableRail infill installation. (See CableRail packaging for instructions)

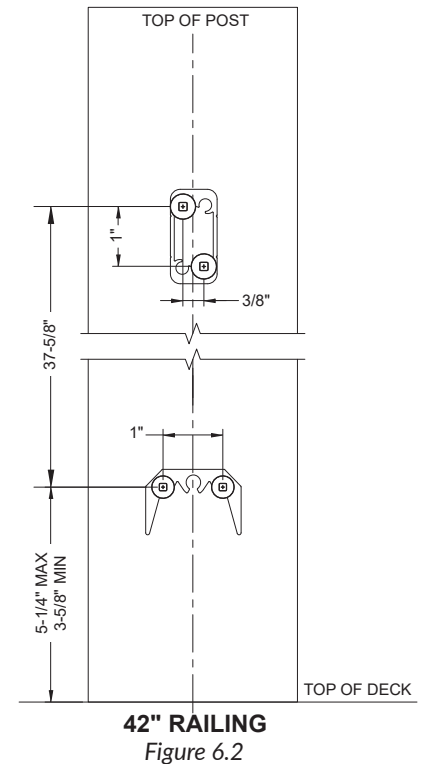
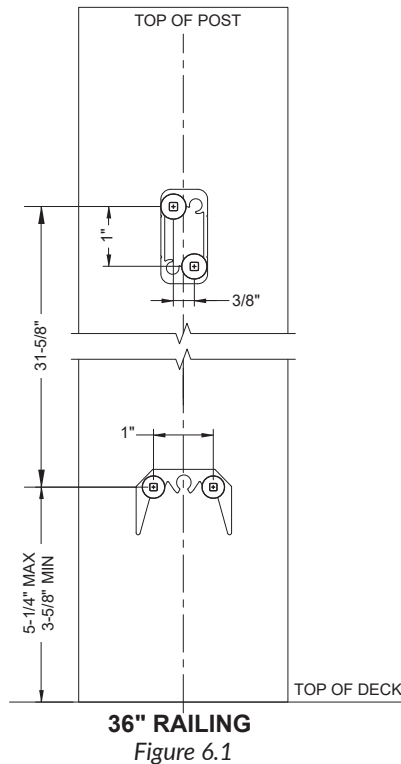
Note: If project is located in a harsh environment (such as within 2 miles of saltwater) install Isolation Bushings in all posts. (See packaging for installation instructions)

Rail Kits - Between Wood Posts Installation

STEP 1 - PREPARE POST FOR RAIL CONNECTING BRACKETS (RCBs)

LEVEL CONDITION:

Mark and drill pilot holes in the posts for the RCBs attachment screws. Each RCB requires two screws. Refer to correct diagram based on your railing system height, for hole location dimensions. (See Figures 6.1 & 6.2)



STAIR CONDITION:

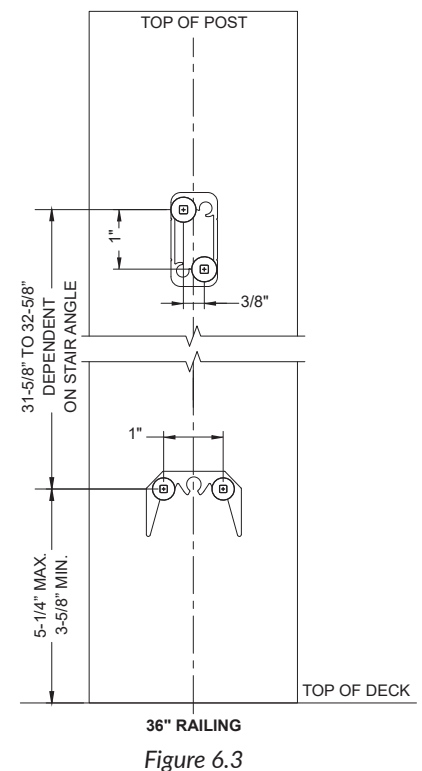
RCB location will be dependent on post locations in relation to the top and bottom stair treads. It is important to place the Top and Bottom Rails so that the final assembly will meet the following conditions:

- The Bottom Rail does not rest on the stair tread nosing.
- The opening between the Bottom Rail and stair tread does not allow a 6" sphere to pass through.
- The Top Rail finishes at a minimum height of 34" and a maximum height of 38".

Note: These conditions are typical for residential stair code compliance, but may vary depending on local code requirements. Always be sure to check with your local building code authority regarding code compliance requirements in your project location.

Following these conditions (See Figure 6.3), locate the top and bottom RCB locations, mark and drill pilot holes in the posts for the RCBs attachment screws. For best results drill the pilot holes at the stair angle using an angled drill guide.

Each RCB requires two screws.



STEP 2 - ATTACH RAIL CONNECTING BRACKETS (RCBs) TO POSTS

LEVEL CONDITION:

Attach the top and bottom Isolation Pads and RCBs to each post using the #10 x 3" screws.
(See Figures 6.4 & 6.5)

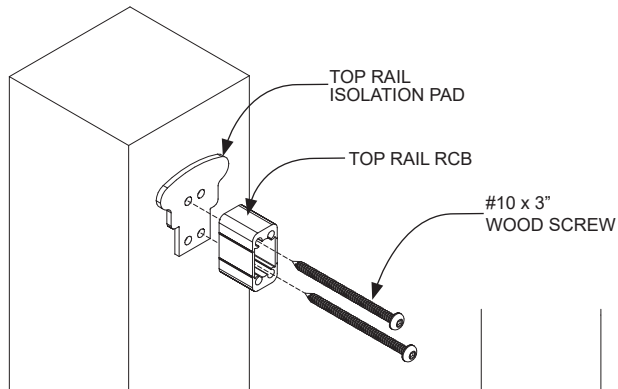


Figure 6.4

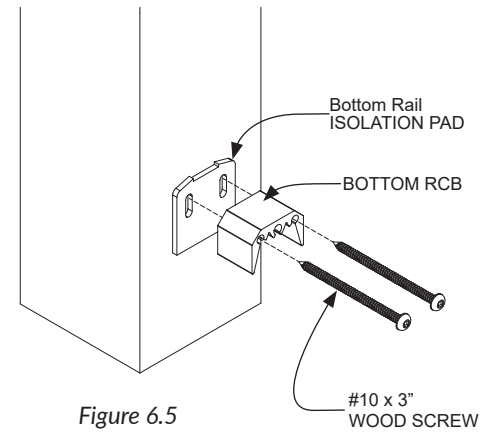
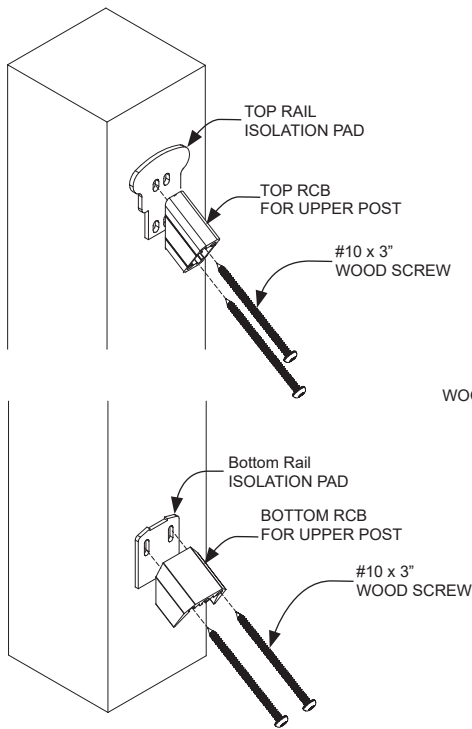


Figure 6.5

STAIR CONDITION:

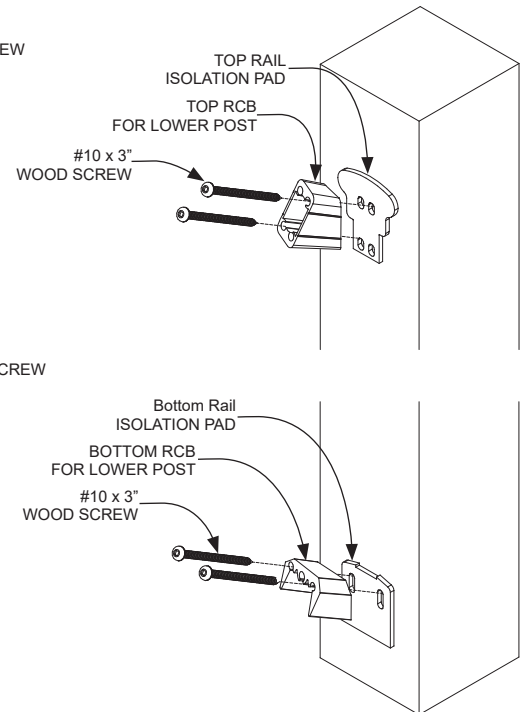
Attach the top and bottom Isolation Pads and RCBs to each post using the #10 x 3" screws.

Note: Each stair RCB is different, be sure to use the proper RCB in the respective post location. (See Figures 6.6 & 6.7).



UPPER POST

Figure 6.6



LOWER POST

Figure 6.7

STEP 3 – ASSEMBLE RAIL KITS

LEVEL CONDITION:

Measure the open width between each set of posts. (See Figure 6.8)

Note: Be sure to take two measurements: one just above the top RCBs for the Top Rail and one just above the bottom RCBs for the Bottom Rail.

Trim the Top and Bottom Rails to match the corresponding measurements.

Attach the Intermediate Picket to the center of the Top Rail using a #8 x 3/4" screw and to the center of the Bottom Rail using a #10 x 3/4" screw. (See Figure 6.9)

Note: drill a 1/8" pilot hole for the #8 screw and a 1/4" pilot hole through the Bottom Rail for the #10 screw; the 1/4" hole must be drilled slightly off center to align with the picket screw chase. The #8 and #10 screws require a #2 square drive bit (bit not included).

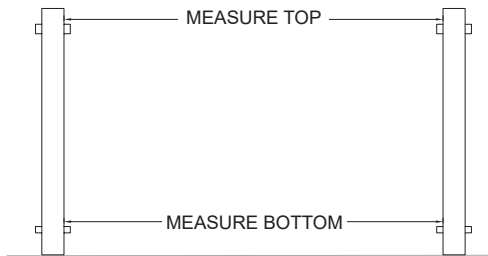


Figure 6.8

STAIR CONDITION:

Measure the open width between each set of posts. (See Figure 6.10)

Note: Be sure to take two measurements: one just above the top RCBs for the Top rail and one just above the bottom RCBs for the Bottom Rail.

Trim the top and Bottom Rails to match the corresponding measurements. (See Figure 6.9) Be sure to miter cut the ends of the top and Bottom Rail to accommodate the stair angle.

Attach the Intermediate Picket to the center of the Top Rail using a #8 x 3/4" screw and to the center of the Bottom Rail using a #10 x 3/4" screw. (See Figure 6.9)

Note: Drill a 1/8" pilot hole for the #8 screw and a 1/4" pilot hole through the Bottom Rail for the #10 screw; the 1/4" hole must be drilled slightly off center to align with the picket screw chase. The #8 and #10 screws are included in the Rail Kits, and require a #2 square drive bit (bit not included).

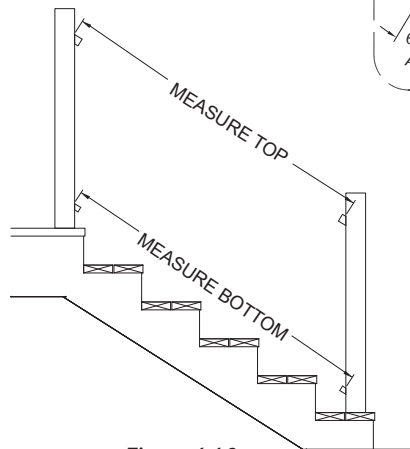


Figure 6.10

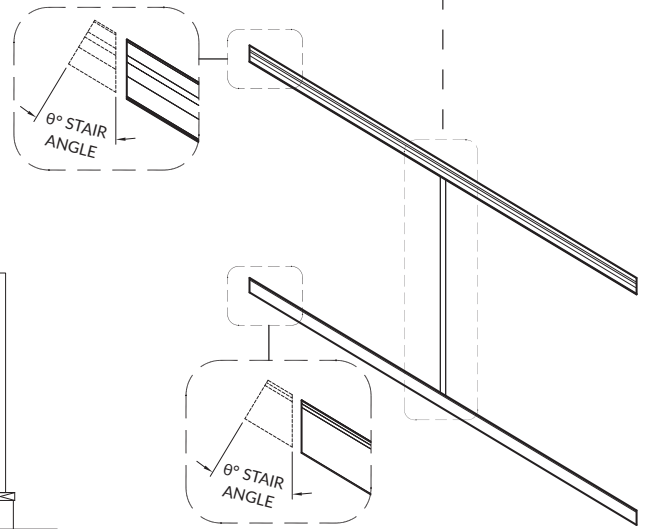
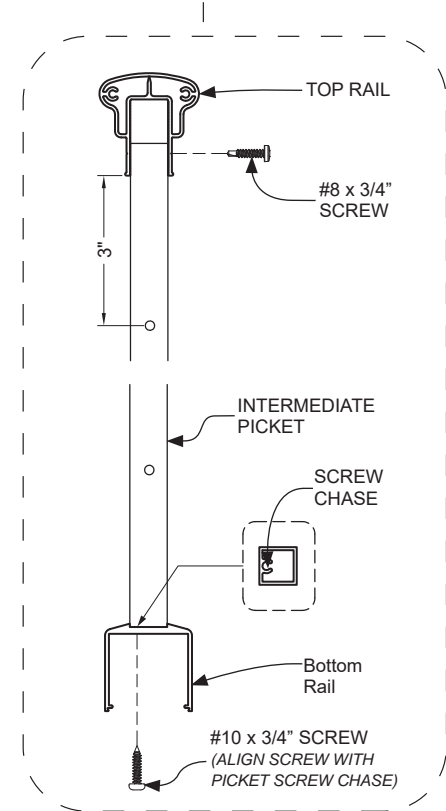
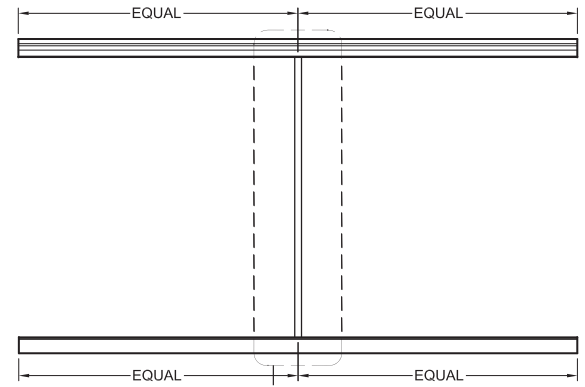


Figure 6.9

STEP 3 – ATTACH RAIL KITS TO POSTS

LEVEL CONDITION

Insert the Rail Kit assembly between the posts and slide down onto the RCBs. (See Figure 6.11)

Secure the Top and Bottom Rails to the RCBs using two #8 x 3/4" screws for each RCB. (See Figure 6.12)

Note: Drill 1/8" pilot holes for the screws and offset the holes slightly so that the screws do not hit one another inside the RCBs. The screws require a #2 square drive bit (bit not included).

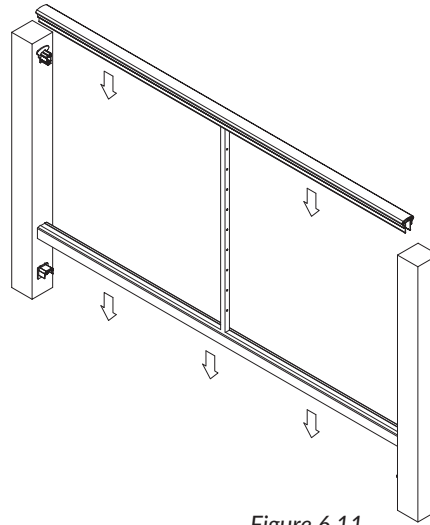


Figure 6.11

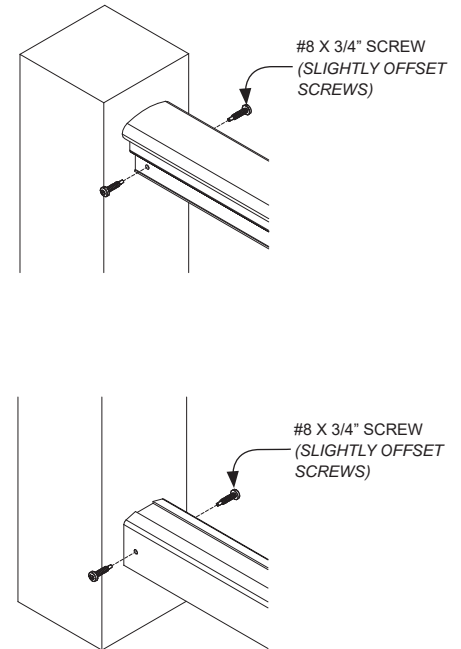


Figure 6.12

STAIR CONDITION

Insert the Rail Kit assembly between the posts and slide down onto the RCBs. (See Figure 6.13)

Secure the Top and Bottom Rails to the RCBs using two #8 x 3/4" screws for each RCB. (See Figure 6.14)

Note: Drill 1/8" pilot holes for the screws and offset the holes slightly so that the screws do not hit one another inside the RCBs. The screws require a #2 square drive bit (bit not included).

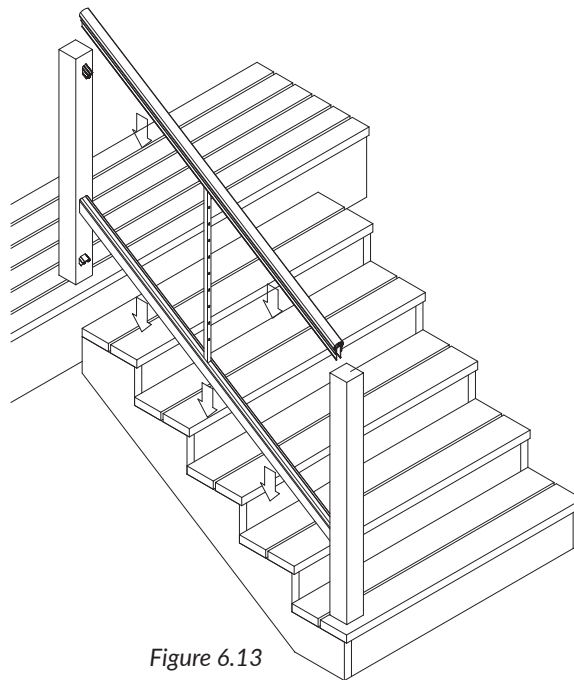


Figure 6.13

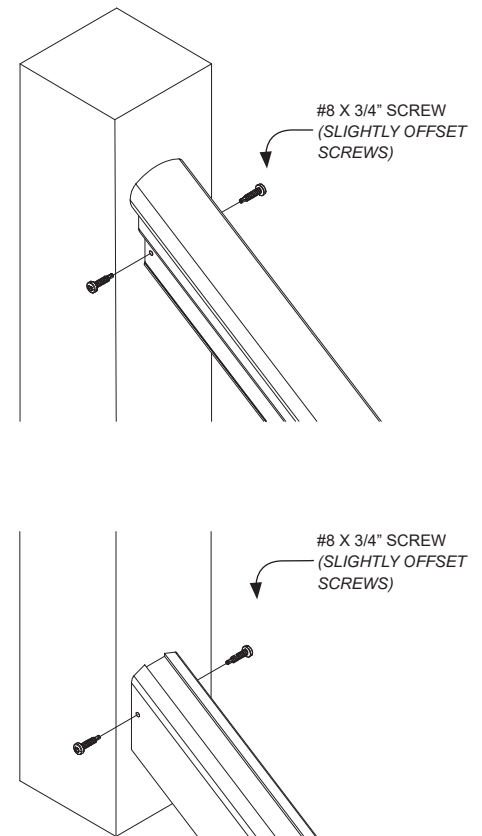


Figure 6.14

STEP 4 - CUT AND ATTACH SNAP CAP

LEVEL CONDITION

Measure underneath the Top Rail from the face of the Intermediate Picket to the adjacent post faces. (See Figure 6.15)

Trim the Snap Caps to match the corresponding measurements (trim the end with the hole).

Position the Snap Caps so the trimmed end is against the post. Press the Snap Caps on to the bottom of the Top Rails until they click and lock into place. (See Figure 6.16)

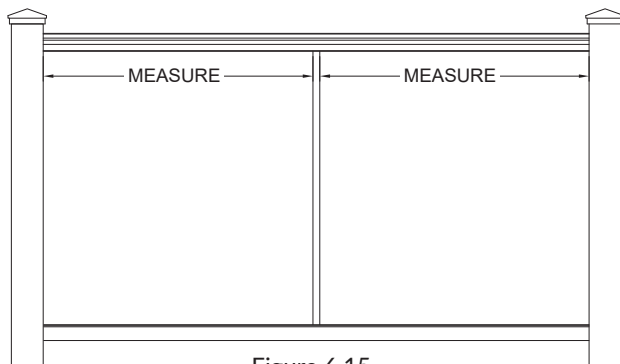


Figure 6.15

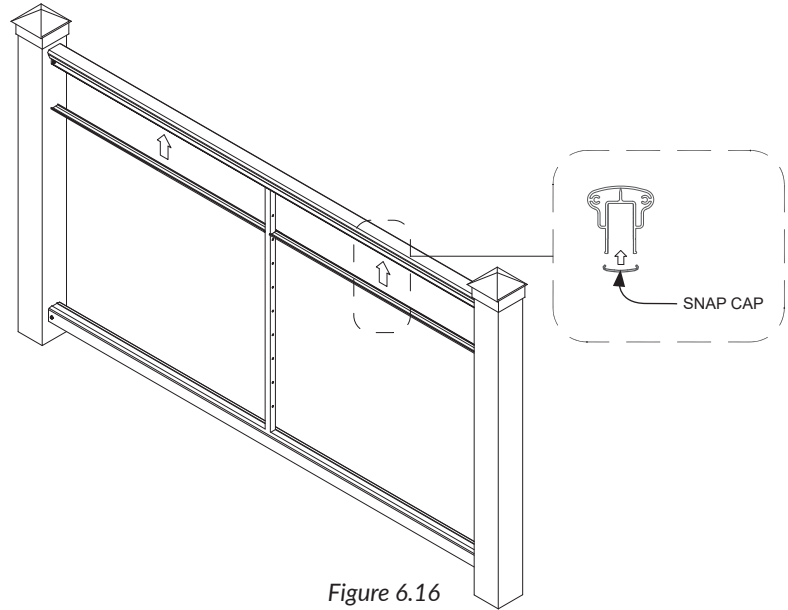


Figure 6.16

STAIR CONDITION

Measure underneath the Top Rail from the face of the Intermediate Picket to the adjacent post faces. (See Figure 6.17)

Trim the Snap Caps to match the corresponding measurements. (Trim the end with the hole)

Position the Snap Caps so the trimmed end is against the post. Press the Snap Caps on to the bottom of the Top Rails until they click and lock into place. (See Figure 6.18)

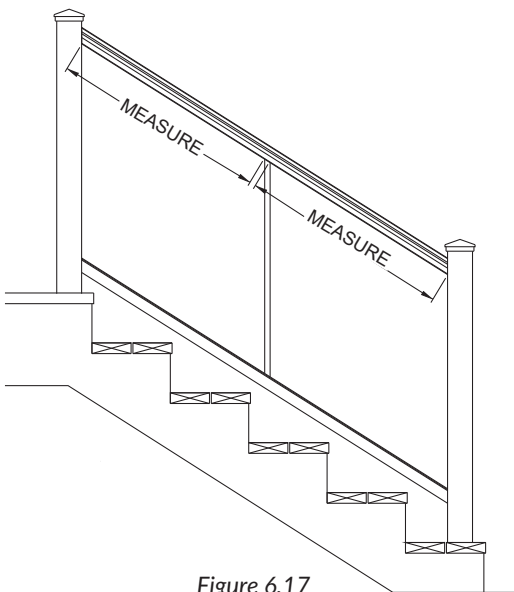


Figure 6.17

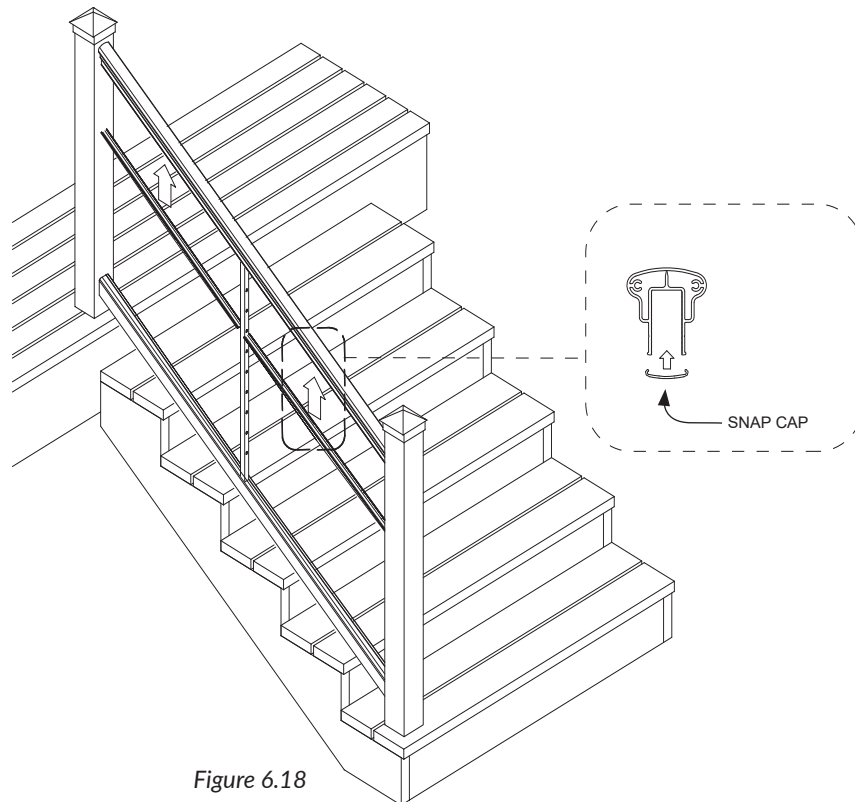


Figure 6.18

NEXT STEPS:

Continue to CableRail Kit installation. Use 6300 series for wood posts. (See CableRail packaging for instructions).

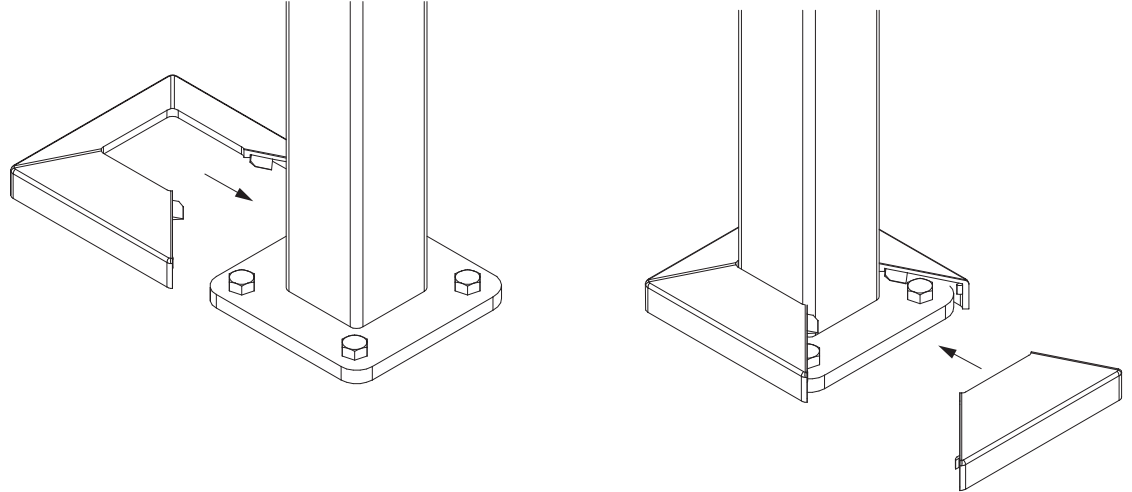
DesignRail® Kits - Accessories *(sold separately)*

Note: For full installation instructions for each accessory, see instructions on accessory packaging.

BASEPLATE COVER

These easy to install two-piece covers conceal the lag screw heads and base plates of the posts to give the railing a beautiful finishing touch. Great for retrofitting existing DesignRail® installations too.

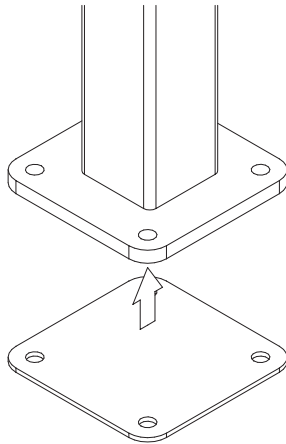
(#7737 BLK-PKG)



ISOLATION PADS

High-density neoprene pads that protect posts and base plates from chemical corrosion that may be caused by contact with concrete or pressure treated wood surfaces.

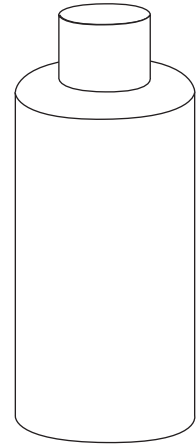
(#7025-PKG)



TOUCH-UP PAINT

Color matched to help cover small abrasions.

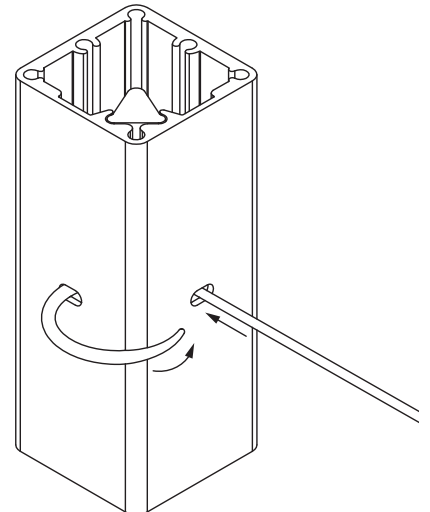
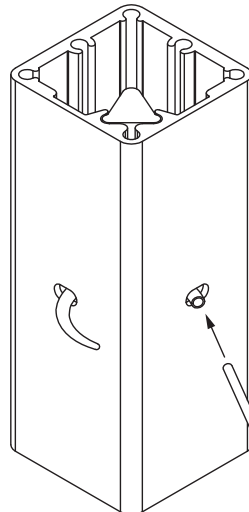
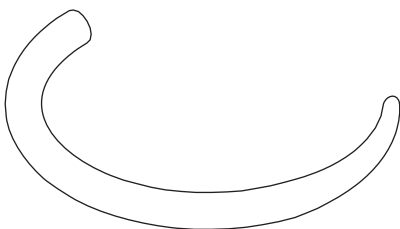
(#7250-BB-PKG)



CURVED LACING NEEDLE

For quickly lacing cable ends through Single Corner posts.

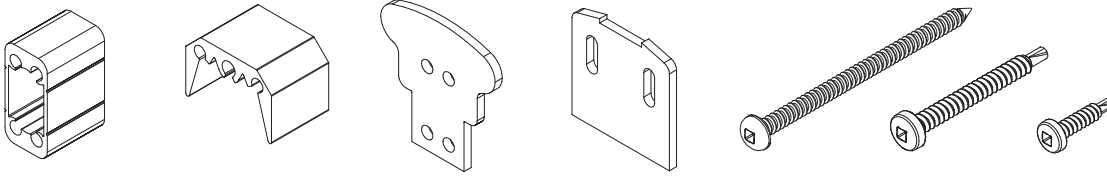
(#3321-CURVE-PKG)



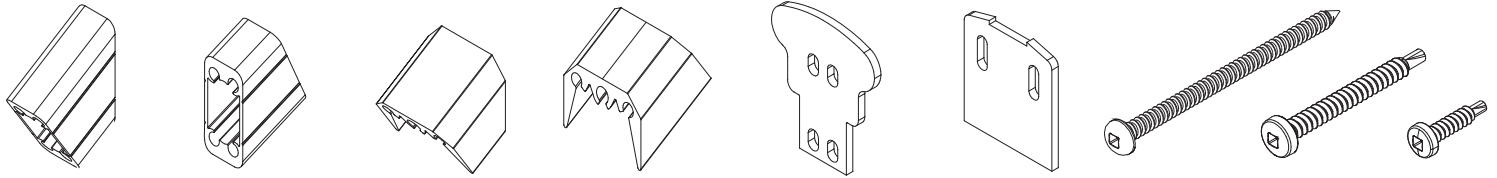
RAIL CUT KITS

Use Cut Kits when cutting a single Rail Kit into multiple parts for smaller railing sections, reducing costs and wasted material.

LEVEL BLACK: (#7622 BLK-PKG)



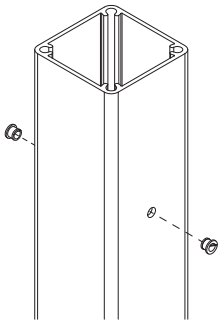
STAIR BLACK: (#7623 BLK-PKG)



ISOLATION BUSHINGS

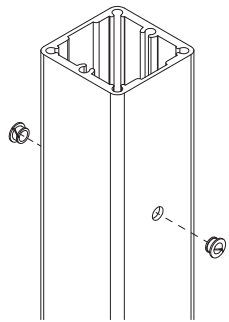
Use Isolation Bushings in pre-drilled CableRail post holes when installing a railing in areas with harsher environments.

(#1100-INT-PKG)



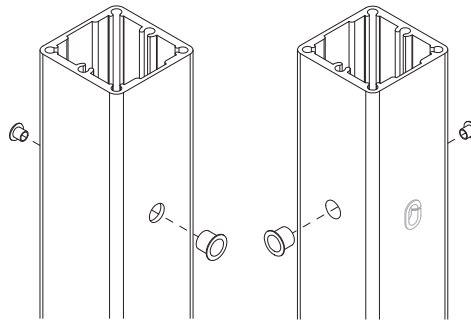
INTERMEDIATE POST

(#1100-TT-PKG)

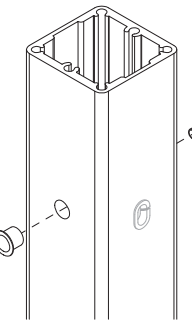


THREADED TERMINAL POST

(#1100-QC-PKG)

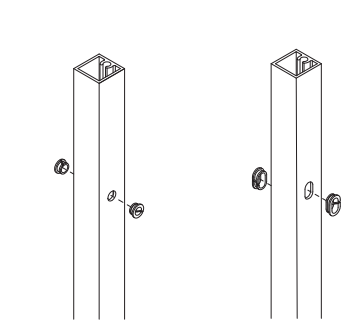


QUICK-CONNECT® POST



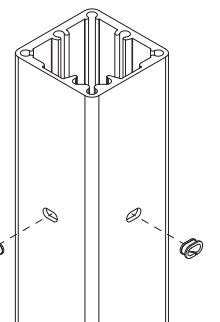
NEWEL TERMINATION POST (RIGHT OR LEFT)

(#1100-PK-PKG) (#1100-PKS-PKG)

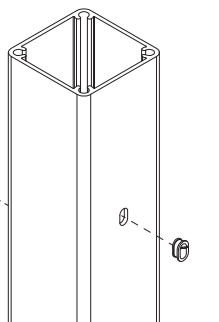


INTERMEDIATE PICKET IN LEVEL RAIL KIT INTERMEDIATE PICKET IN STAIR RAIL KIT

(#1100-SCIS-PKG)

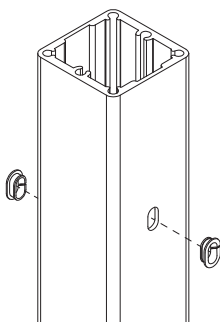


SINGLE CORNER POST

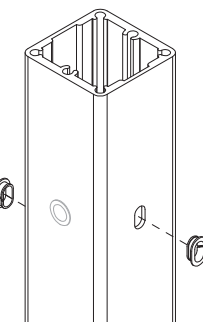


INTERMEDIATE STAIR POST OR NEWEL PASSTHROUGH POST

(#1100-TTS-PKG)

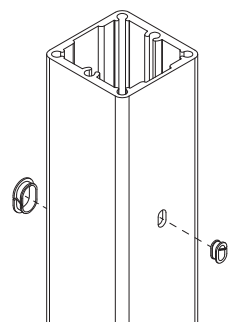


THREADED TERMINAL STAIR POST



NEWEL TERMINATION POST (RIGHT OR LEFT)

(#1100-QCS-PKG)



QUICK-CONNECT® STAIR POST



www.feeneyinc.com

1-800-888-2418

©2018 Feeney, Inc. (4/18) AF# 2018-1453