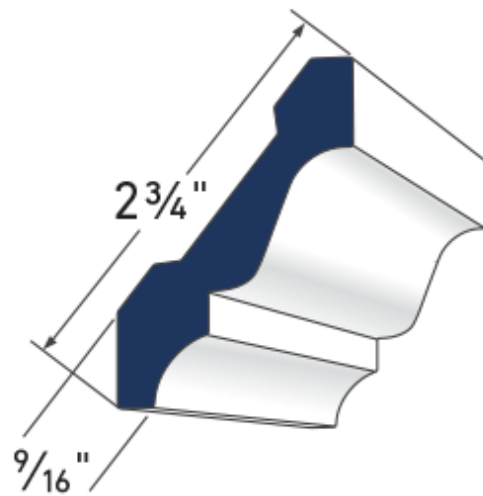
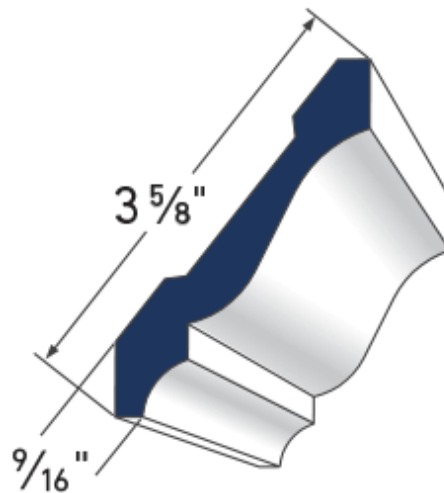


AZEK – CROWN MOULDING

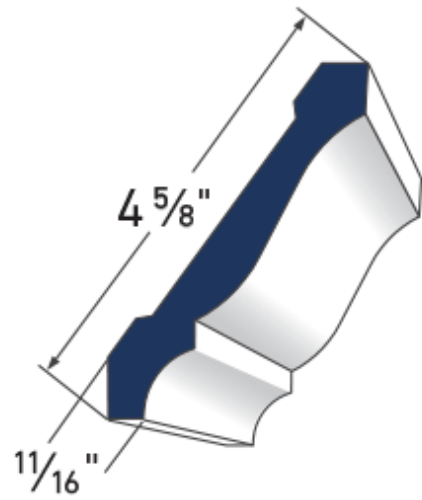
Crown moulding profiles are typically decorative mouldings designed for use along the intersection of a wall or ceiling. May be combined with other mouldings to create a built-up profile.



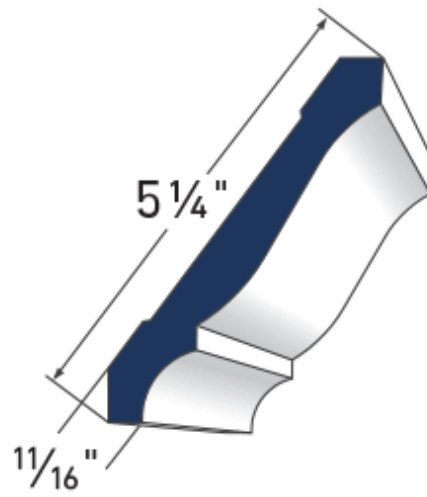
3" Crown AZM-52
LENGTH: 16'



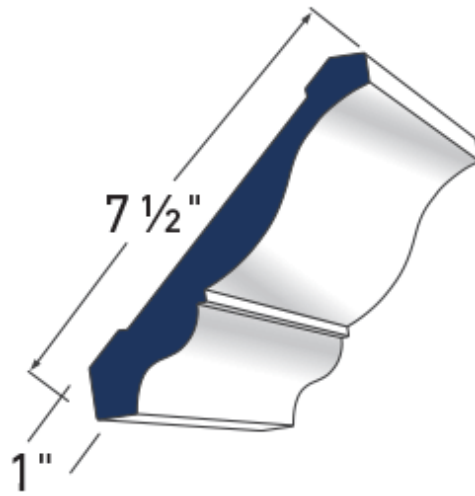
4" Crown AZM-49
LENGTH: 16'



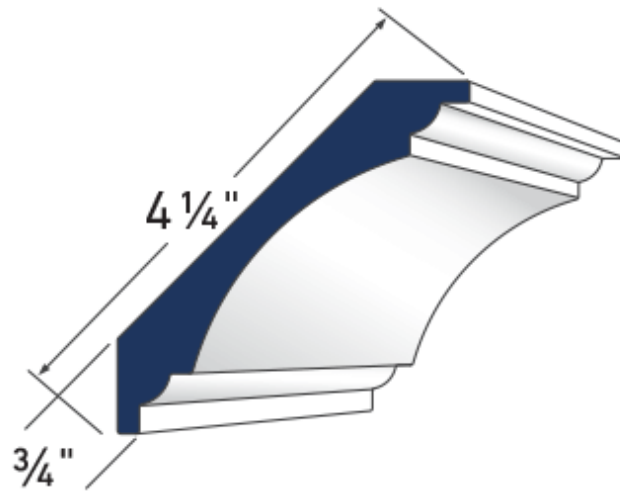
5" Crown AZM-47
LENGTH: 16'



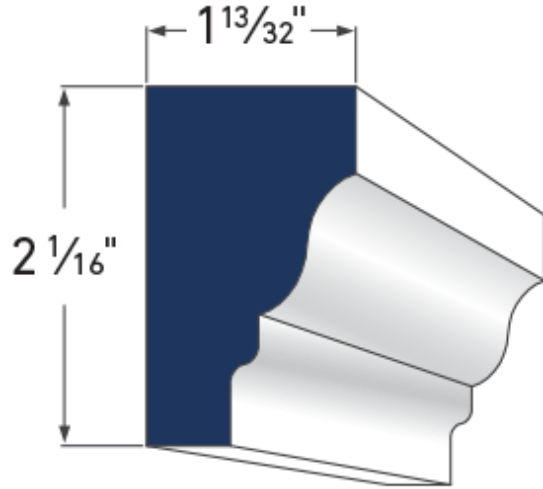
6" Crown AZM-45
LENGTH: 16'



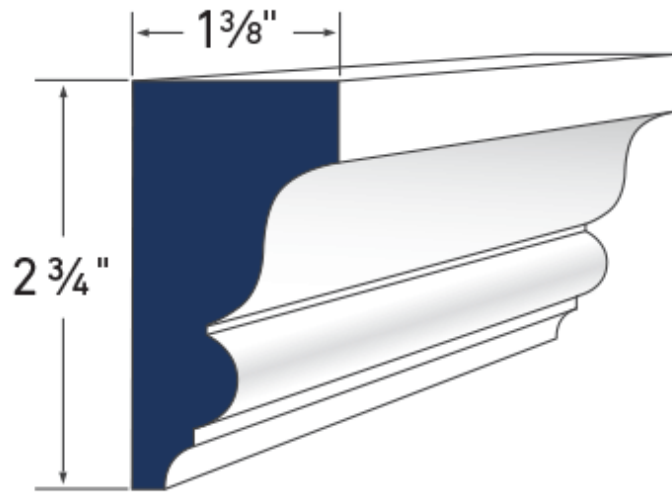
8" Crown AZM-43
LENGTH: 16'



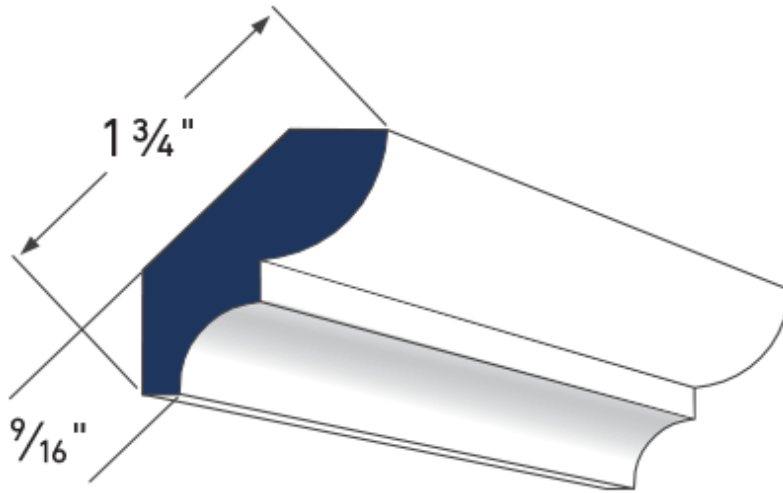
Cove Moulding AZM-80
LENGTH: 16'



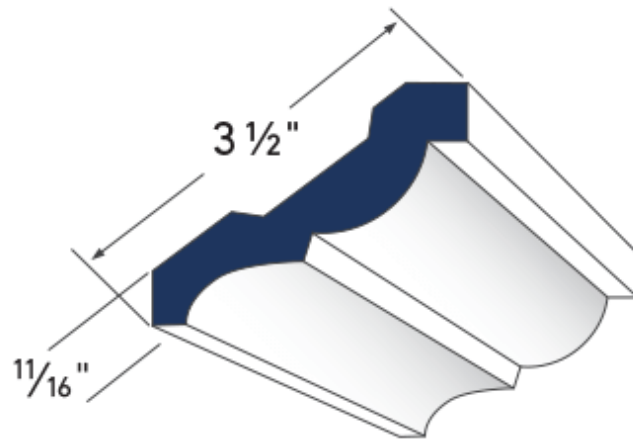
Rams Crown AZM-6934
LENGTH: 16'



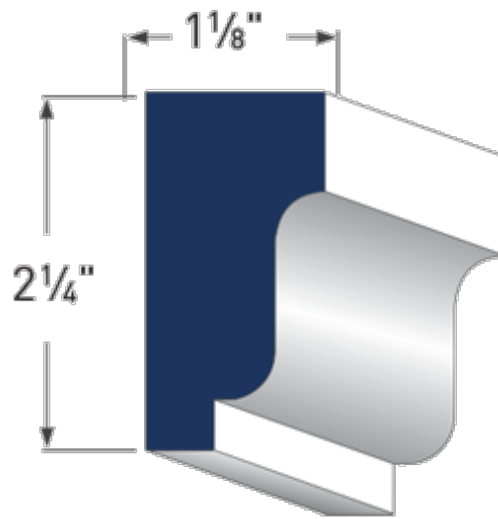
Imperial Rake Crown AZM-6937
LENGTH: 16'



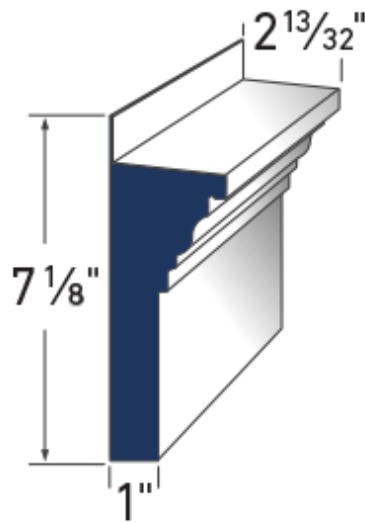
Bed Moulding AZM-75
LENGTH: 16'



3 1/2" Bed Moulding AZM-28
LENGTH: 16'



Solid Crown AZM-7954
LENGTH: 16'



Crosshead Pediment AZM-6216
LENGTH: 18'

•